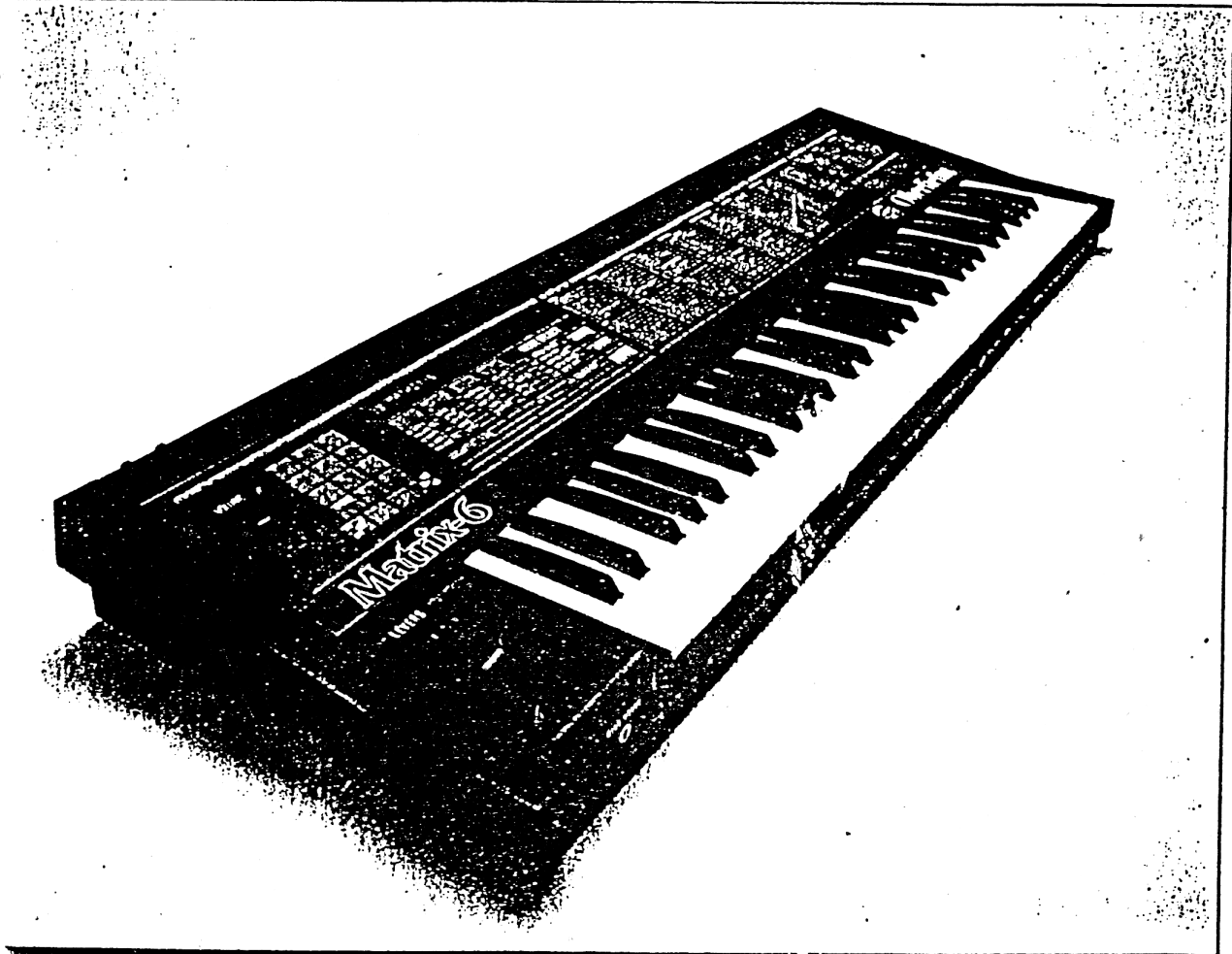


SERVICE MANUAL

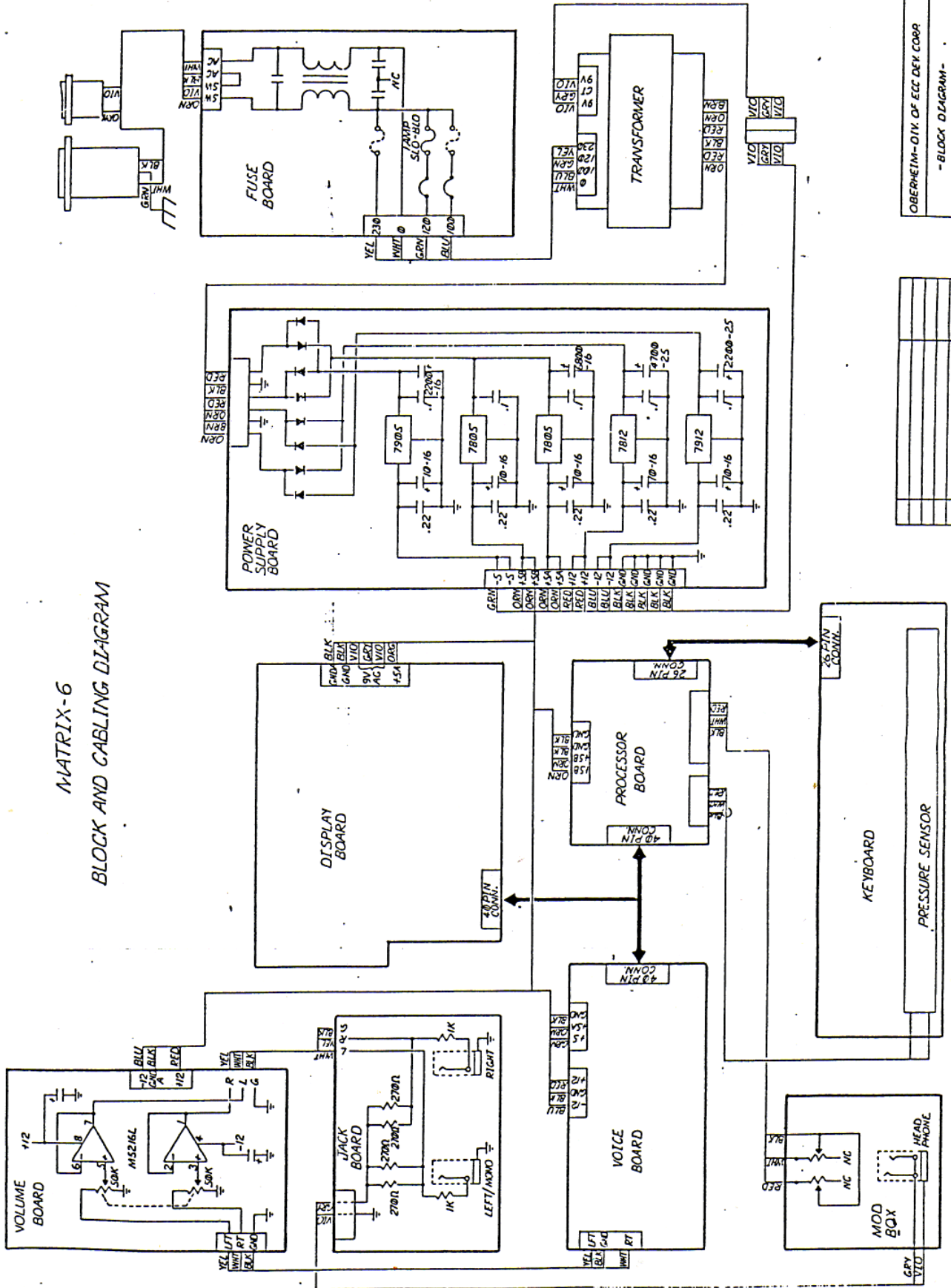
Matrix-6



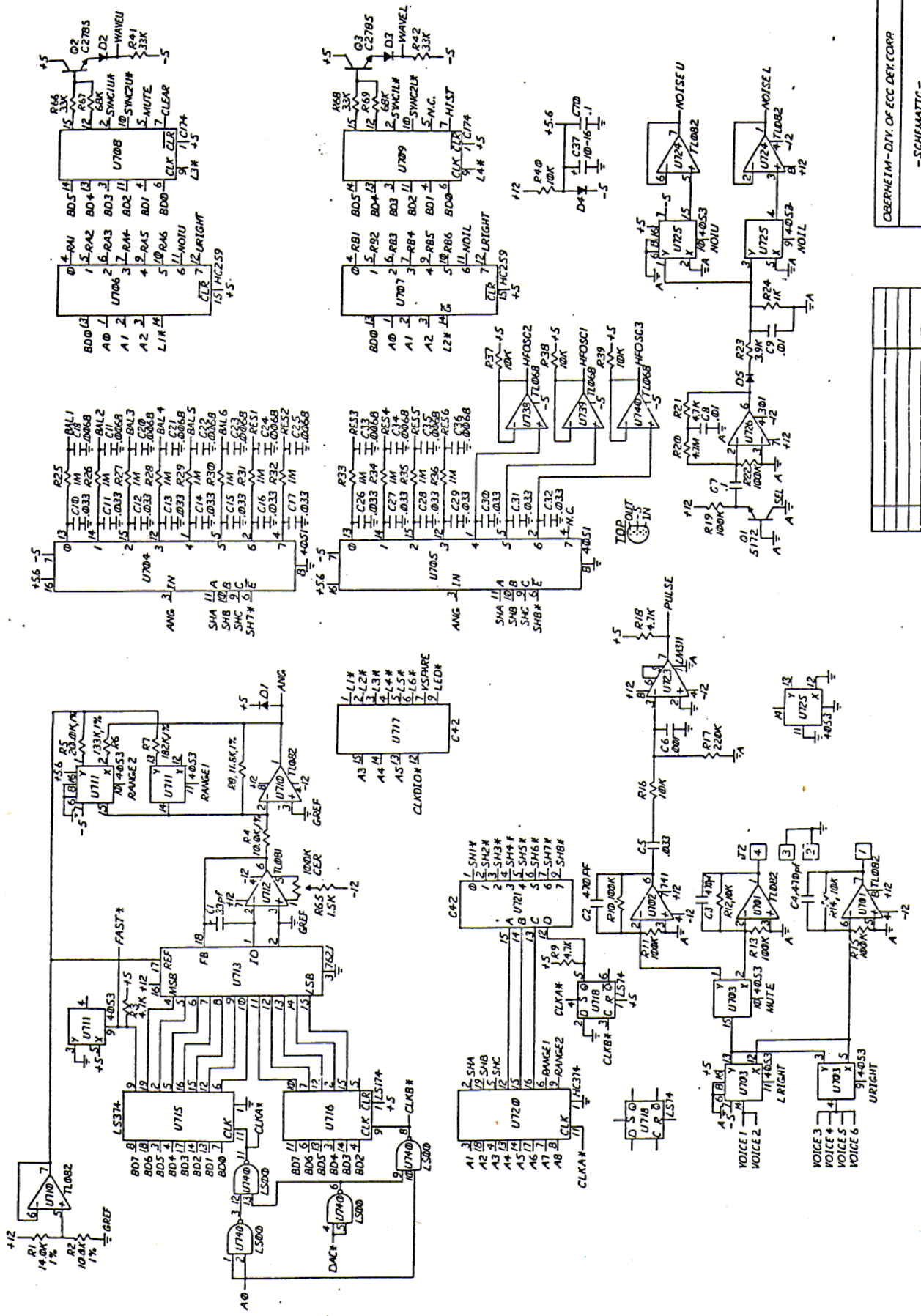
Oberheim



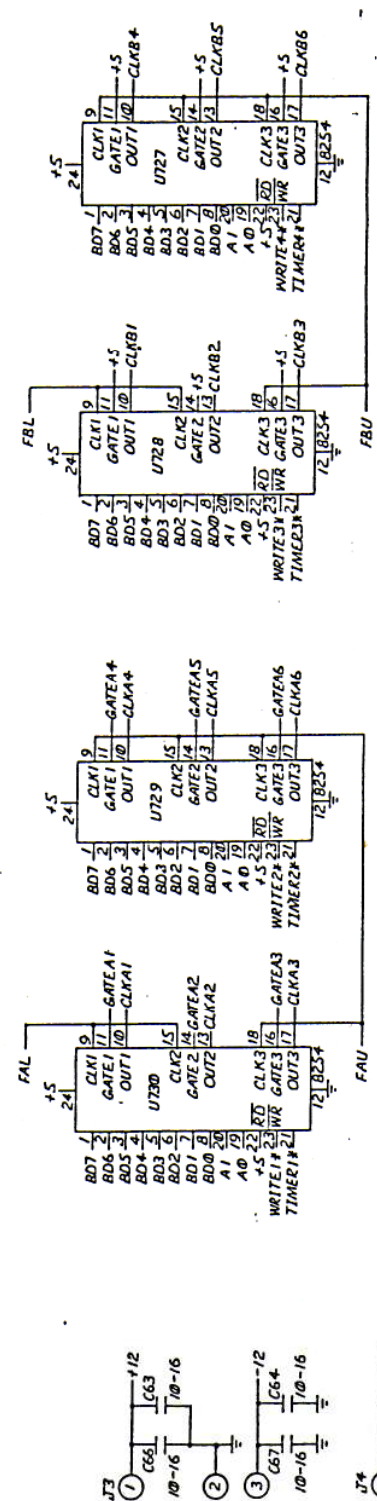
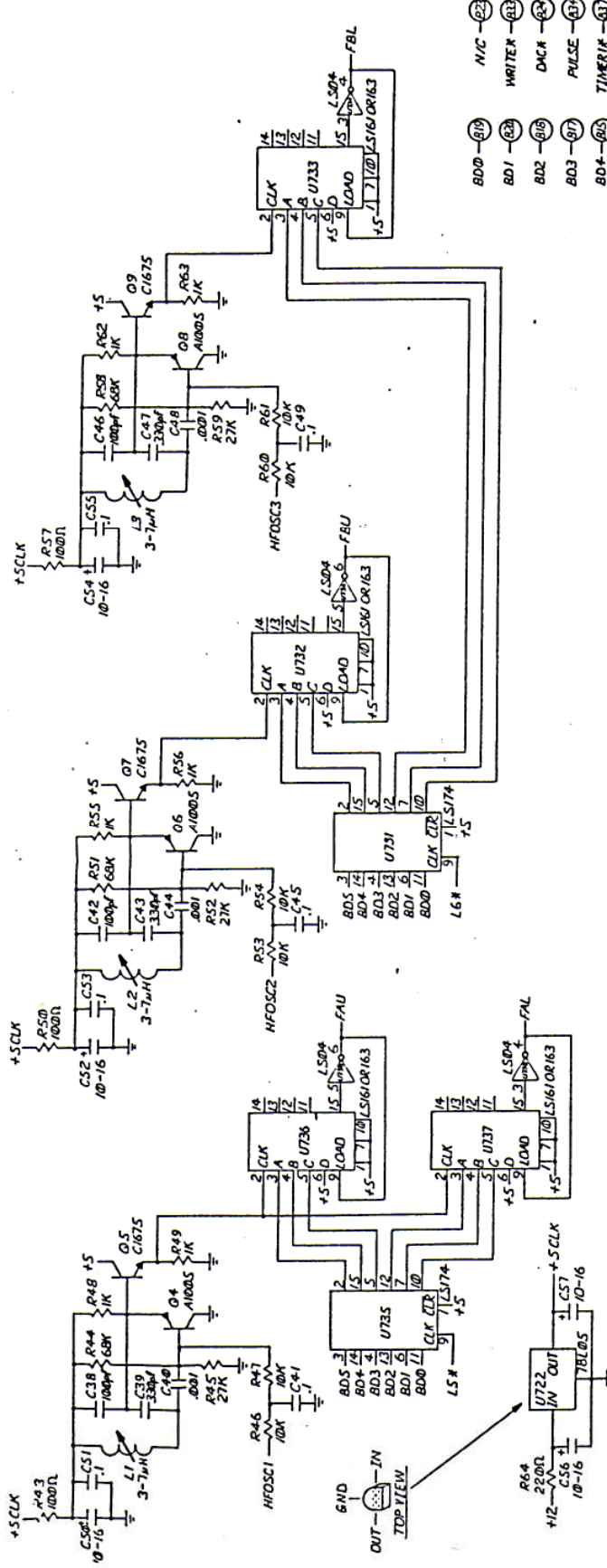
MATRIX-6 BLOCK AND CABLING DIAGRAM



OBERHEIM-DIV. OF ECC DEV CORP
- BLOCK DIAGRAM -
MATRIX-6

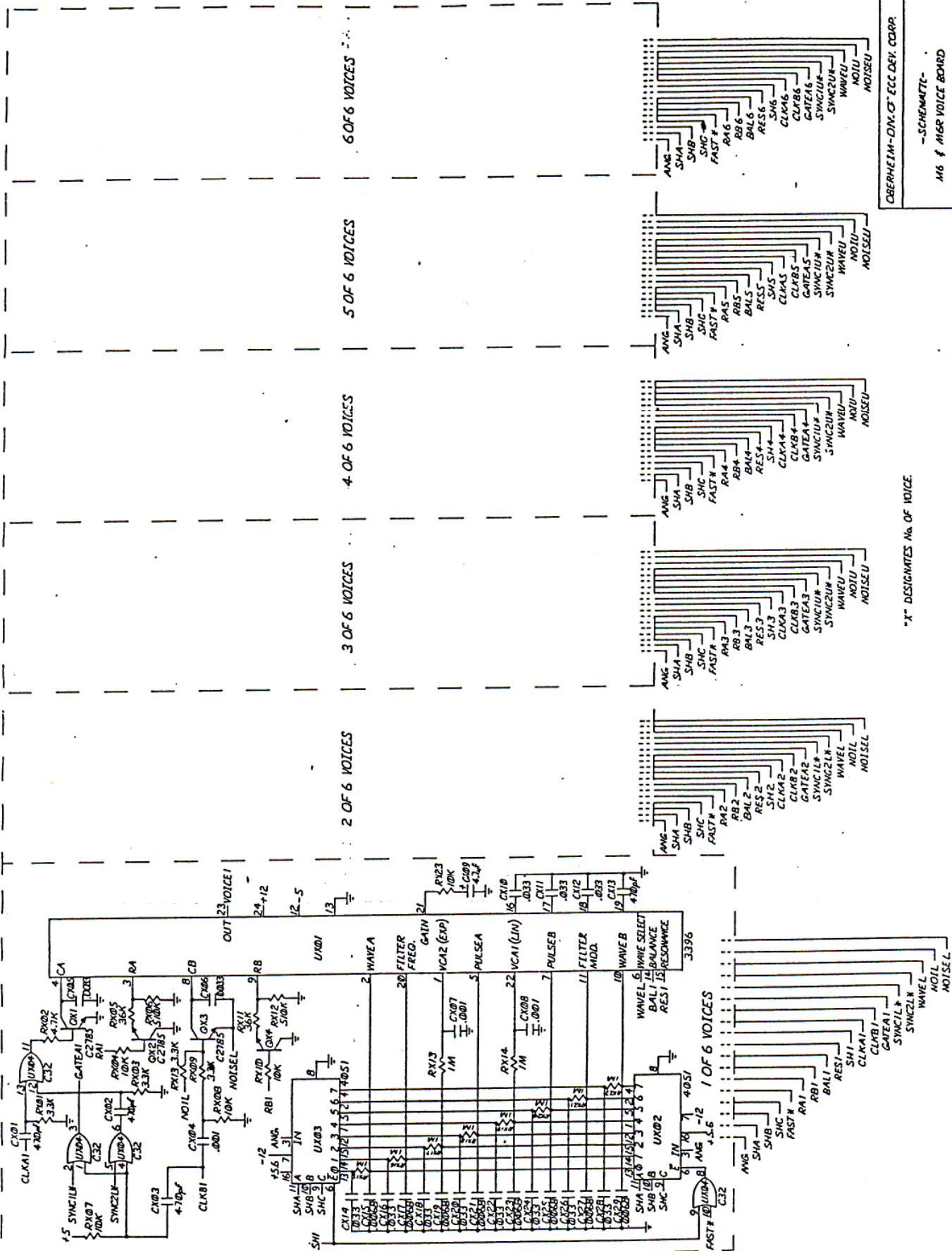


OBERHEIM-DRY OF ECC DEV CORP
 -SCHEMATIC-
 MG 6 MGR VOICE BOARD



- B00 - (60) N/C - (62)
- B01 - (61) WRITER - (63)
- B02 - (62) DMR - (64)
- B03 - (63) PULSE - (67)
- B04 - (64) TIMER1K - (67)
- B05 - (65) TIMER2K - (67)
- B06 - (66) TIMER3K - (64)
- B07 - (67) TIMER4K - (69)
- B08 - (68) LEDK - (61)
- B09 - (69) 15PARE - (62)
- B10 - (70) N/C - (63)
- B11 - (71) N/C - (63)
- B12 - (72) N/C - (63)
- B13 - (73) N/C - (63)
- B14 - (74) N/C - (63)
- B15 - (75) N/C - (63)
- B16 - (76) N/C - (63)
- B17 - (77) N/C - (63)
- B18 - (78) N/C - (63)
- B19 - (79) N/C - (63)
- B20 - (80) N/C - (63)
- B21 - (81) N/C - (63)
- B22 - (82) N/C - (63)
- B23 - (83) N/C - (63)
- B24 - (84) N/C - (63)
- B25 - (85) N/C - (63)
- B26 - (86) N/C - (63)
- B27 - (87) N/C - (63)
- B28 - (88) N/C - (63)
- B29 - (89) N/C - (63)
- B30 - (90) N/C - (63)
- B31 - (91) N/C - (63)
- B32 - (92) N/C - (63)
- B33 - (93) N/C - (63)
- B34 - (94) N/C - (63)
- B35 - (95) N/C - (63)
- B36 - (96) N/C - (63)
- B37 - (97) N/C - (63)
- B38 - (98) N/C - (63)
- B39 - (99) N/C - (63)
- B40 - (100) N/C - (63)

OSBERHEIM-DIV. OF ECG DEY CORP.
-SCHEMATIC-



6 OF 6 VOICES

5 OF 6 VOICES

4 OF 6 VOICES

3 OF 6 VOICES

2 OF 6 VOICES

ANG
SHA
SHB
SHC
FAST#
RB4
RB5
RB6
BAL3
RES4
RES5
RES6
CLKA4
CLKA5
CLKA6
GATEA4
GATEA5
GATEA6
SYNCA4
SYNCA5
SYNCA6
WAVEU
NOIU
NOISEU

ANG
SHA
SHB
SHC
FAST#
RB4
RB5
RB6
BAL3
RES4
RES5
RES6
CLKA4
CLKA5
CLKA6
GATEA4
GATEA5
GATEA6
SYNCA4
SYNCA5
SYNCA6
WAVEU
NOIU
NOISEU

ANG
SHA
SHB
SHC
FAST#
RB4
RB5
RB6
BAL3
RES4
RES5
RES6
CLKA4
CLKA5
CLKA6
GATEA4
GATEA5
GATEA6
SYNCA4
SYNCA5
SYNCA6
WAVEU
NOIU
NOISEU

ANG
SHA
SHB
SHC
FAST#
RB4
RB5
RB6
BAL3
RES4
RES5
RES6
CLKA4
CLKA5
CLKA6
GATEA4
GATEA5
GATEA6
SYNCA4
SYNCA5
SYNCA6
WAVEU
NOIU
NOISEU

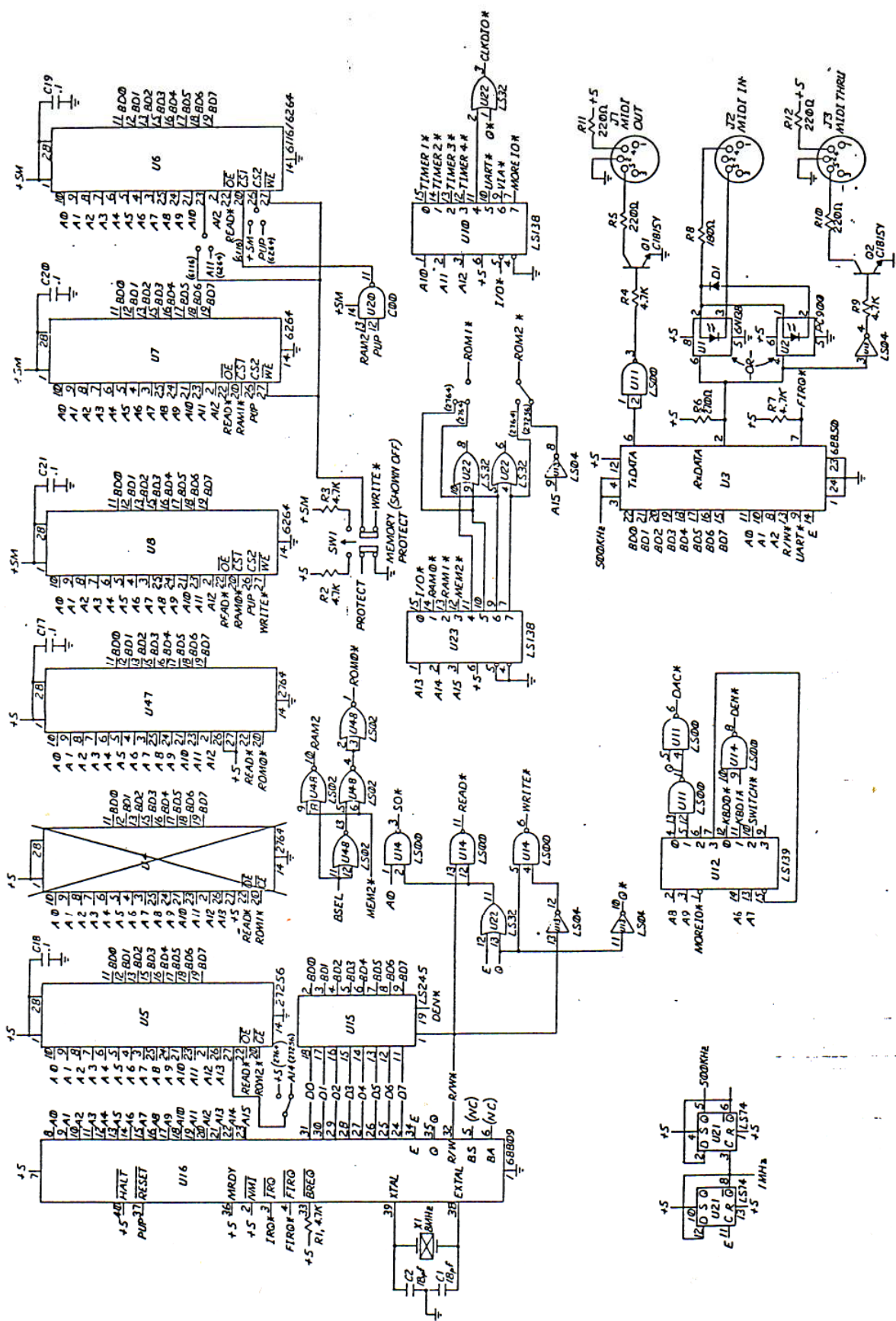
ANG
SHA
SHB
SHC
FAST#
RB4
RB5
RB6
BAL3
RES4
RES5
RES6
CLKA4
CLKA5
CLKA6
GATEA4
GATEA5
GATEA6
SYNCA4
SYNCA5
SYNCA6
WAVEU
NOIU
NOISEU

ANG
SHA
SHB
SHC
FAST#
RB4
RB5
RB6
BAL3
RES4
RES5
RES6
CLKA4
CLKA5
CLKA6
GATEA4
GATEA5
GATEA6
SYNCA4
SYNCA5
SYNCA6
WAVEU
NOIU
NOISEU

ANG
SHA
SHB
SHC
FAST#
RB4
RB5
RB6
BAL3
RES4
RES5
RES6
CLKA4
CLKA5
CLKA6
GATEA4
GATEA5
GATEA6
SYNCA4
SYNCA5
SYNCA6
WAVEU
NOIU
NOISEU

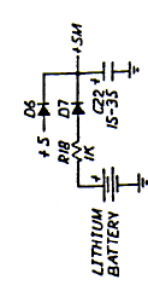
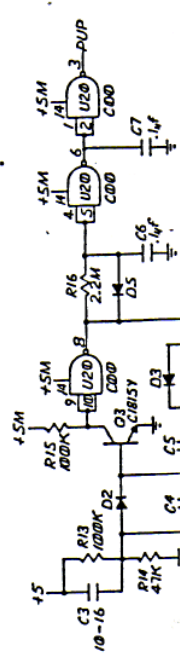
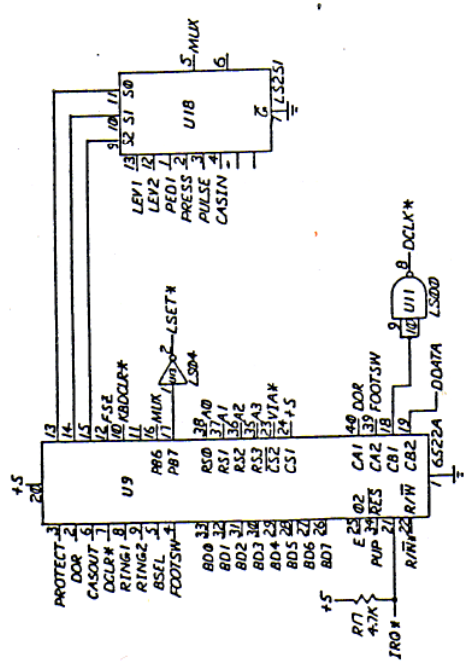
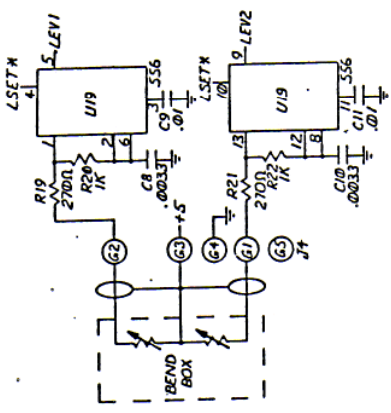
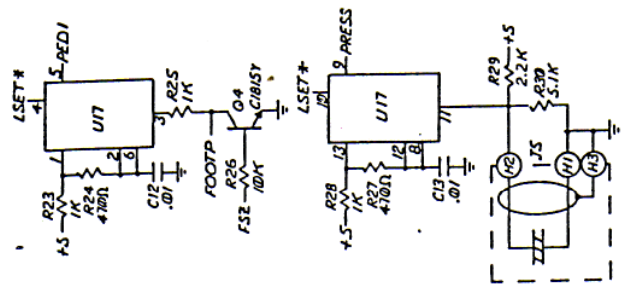
CBERHEIM-DIV. OF ECC DEV. CORP.
-SCHEMATIC-
M6 6 M6R VOICE BOARD

"X" DESIGNATES No. OF VOICE.



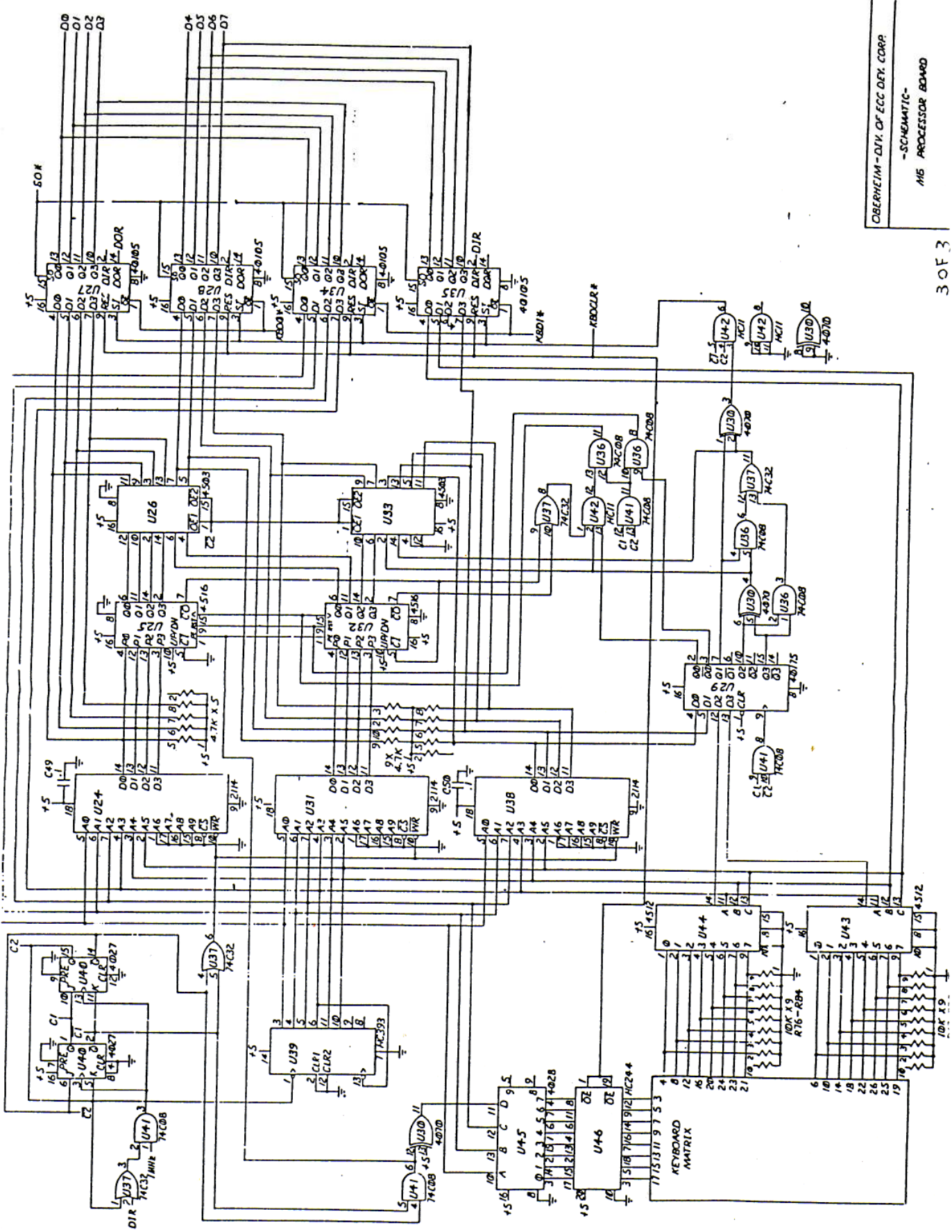
REV	DATE	DESCRIPTION	SHEET
1	10-15-85	INITIAL RELEASE	1

OBERHEIM - DIV. OF ECC DIV. CORP.
 -SCHEMATIC-
 M6 PROCESSOR BOARD

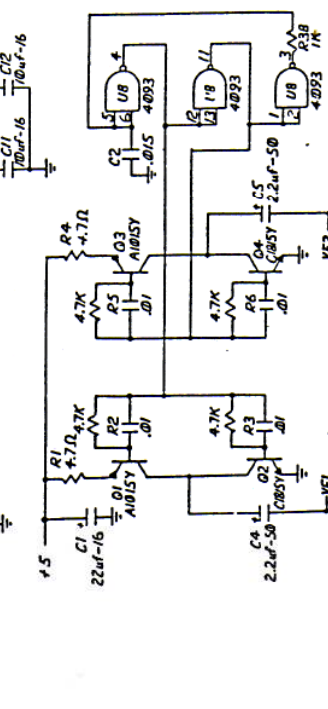
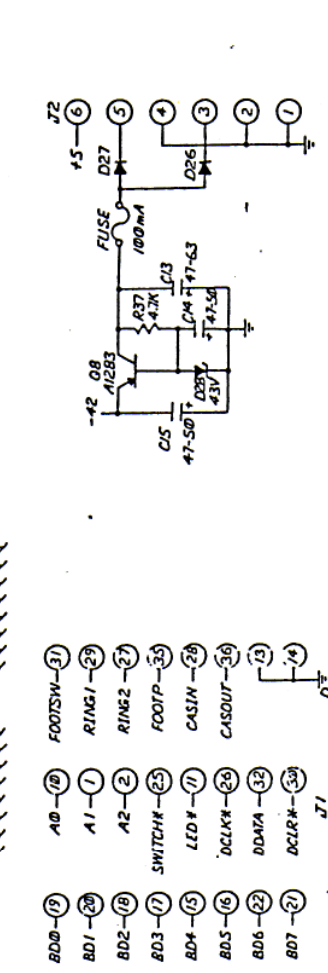
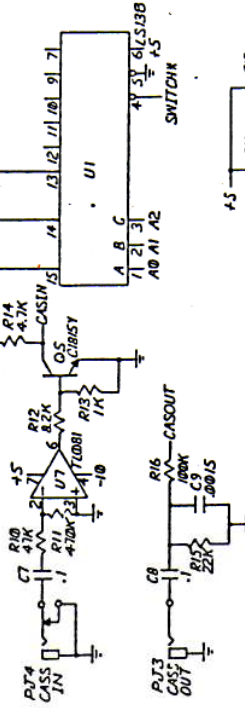
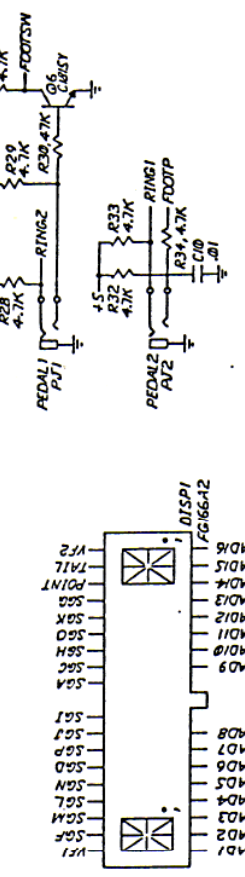
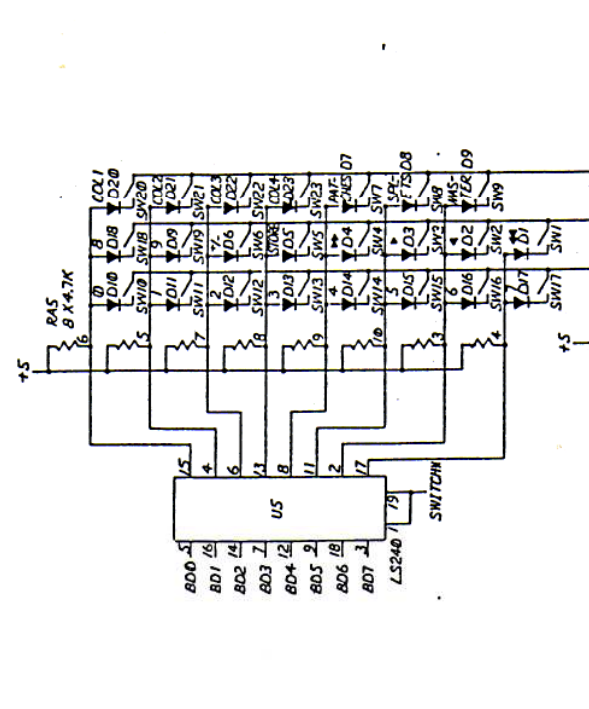
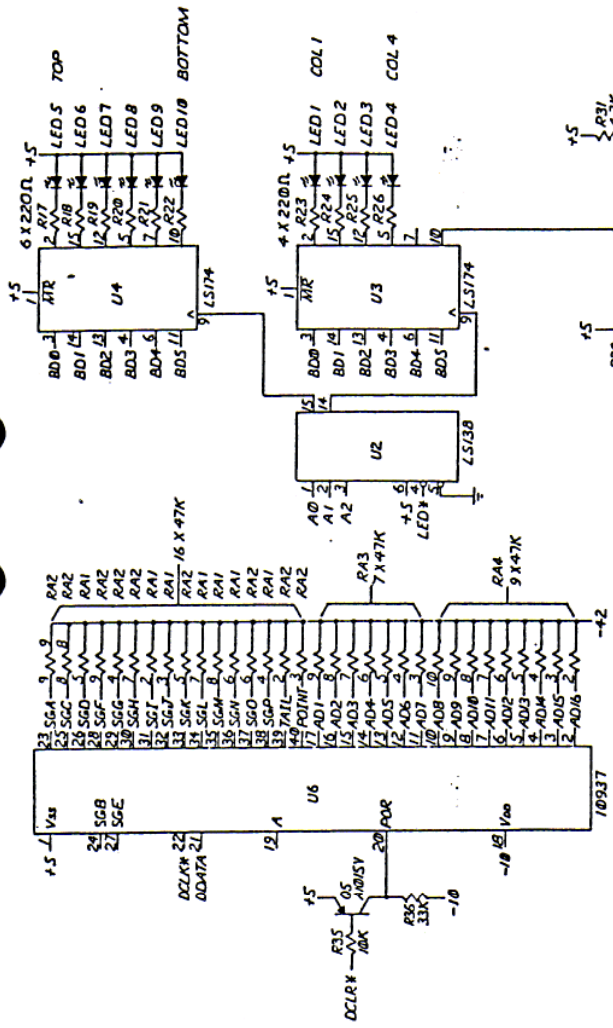


- J1
- A0 - (10)
 - A1 - (1)
 - A2 - (2)
 - A3 - (4)
 - A4 - (8)
 - A5 - (7)
 - A6 - (3)
 - A7 - (5)
 - A8 - (6)
 - CLKDTON - (9)
 - B00 - (19)
 - B01 - (24)
 - B02 - (18)
 - B03 - (17)
 - B04 - (15)
 - B05 - (6)
 - B06 - (22)
 - B07 - (21)
 - (13)
 - (14)
- J3
- (1) - +5
 - (2) - +5
 - (3) -
 - (4) -
- J4
- (1) - PEDI
 - (2) - 9-PRESS
 - (3) - 5-LEV1
 - (4) - 9-LEV2
 - (5) - CASIN
 - (6) - PULSIE
 - (7) - CASIN
 - (8) - PULSIE
 - (9) - CASIN
 - (10) - PULSIE
 - (11) - CASIN
 - (12) - PULSIE
 - (13) - CASIN
 - (14) - PULSIE
 - (15) - CASIN
 - (16) - PULSIE
 - (17) - CASIN
 - (18) - PULSIE
 - (19) - CASIN
 - (20) - PULSIE
 - (21) - CASIN
 - (22) - PULSIE
 - (23) - CASIN
 - (24) - PULSIE

OBERHEIM - DIV. OF ECC DEV CORP.
 - SCHEMATIC -
 M6 PROCESSOR BOARD



OBBERHEIM - DIV. OF ECC DEY. CORP.
 -SCHEMATIC-
 M15 PROCESSOR BOARD



U7R	REVISION	DATE
1	INITIAL RELEASE	10-15-85

CBERHEIM-DIK OF ECC DEV CORP
-SCHEMATIC-
M6 SW/DISPLAY BOARD

J.T.R. 2060