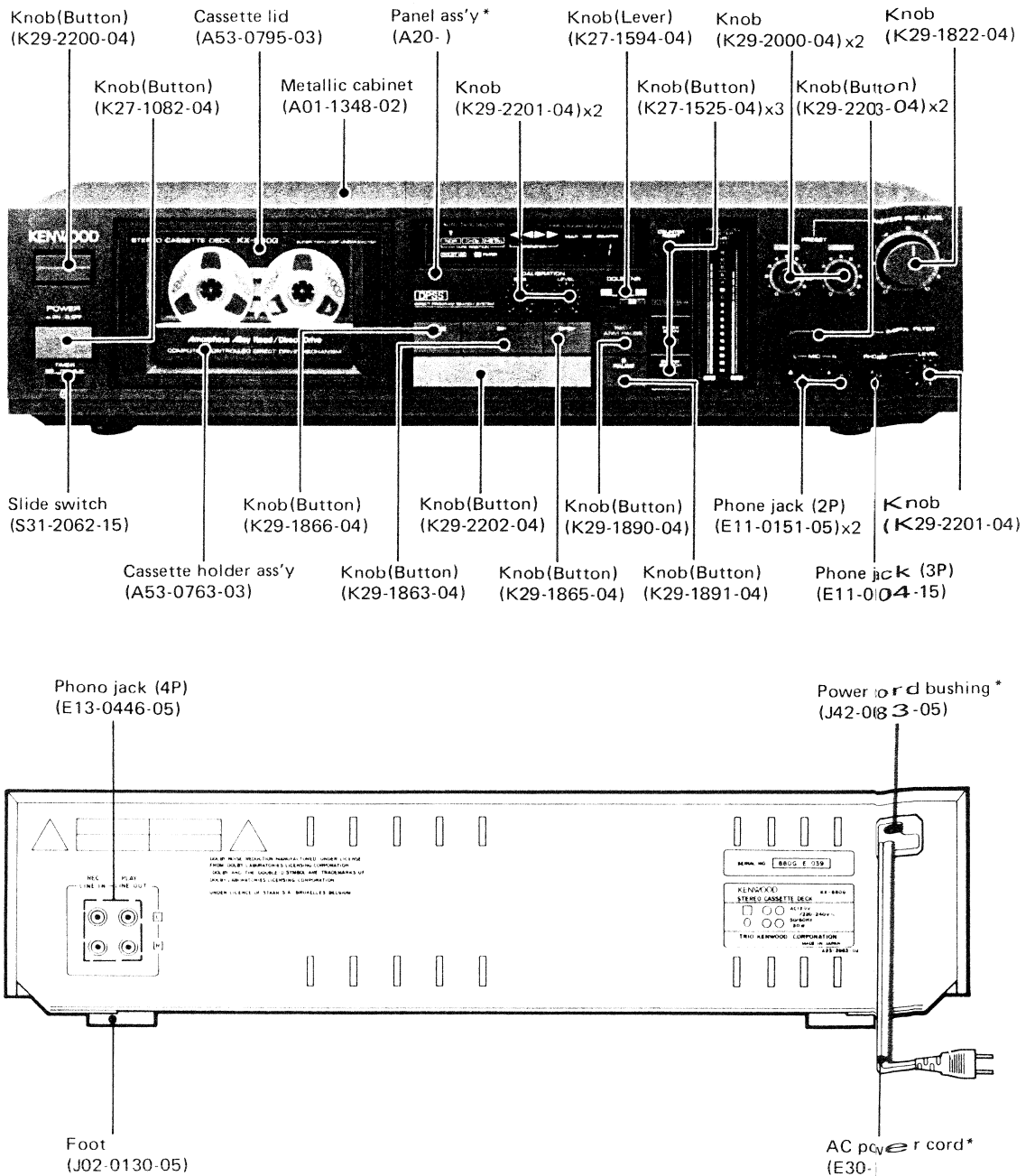


KENWOOD

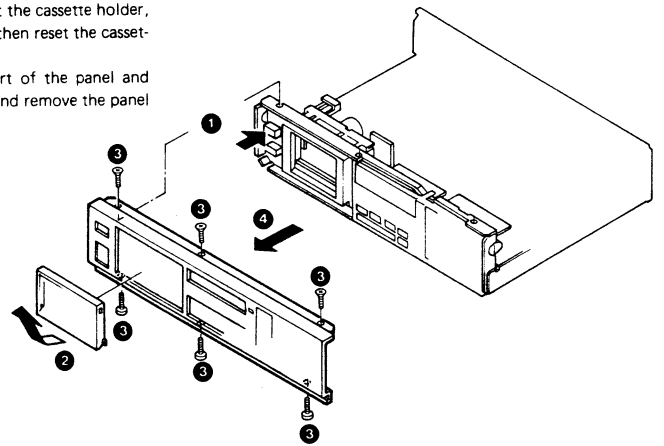
KX-880G

STEREO CASSETTE DECK

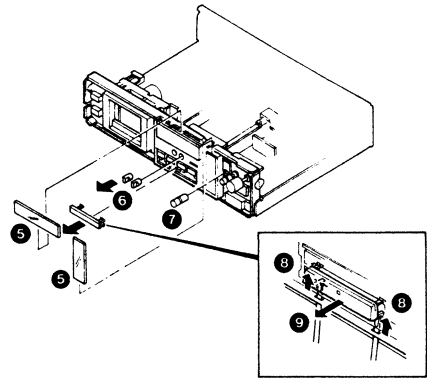


DISASSEMBLY FOR REPAIR

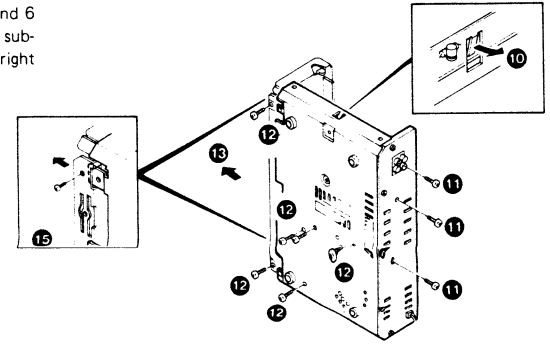
1. Press EJECT knob (1) to pull out the cassette holder, remove the cassette lid (2), and then reset the cassette holder.
2. Remove 3 screws on the upper part of the panel and 3 screws on the lower part (3), and remove the panel (4).



3. Remove the color filters of the level meter and the counter (5).
4. Remove 4 CALIBRATION (BIAS, LEVEL) knobs (6) and PRESET (L) knob (7).
5. Insert (-) screw driver to the escutcheon hole (8), and pull out STOP knob toward you (9).

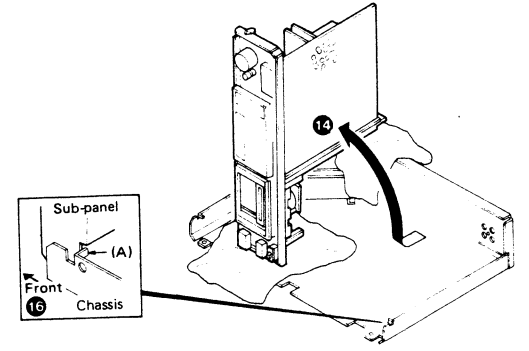


6. Bend the chassis claw outward (10).
7. Remove 3 screws (11) on the rear of the panel and 6 screws (12) on the chassis, and then pull out the sub-panel assembly slightly toward you and set it upright (13, 14).

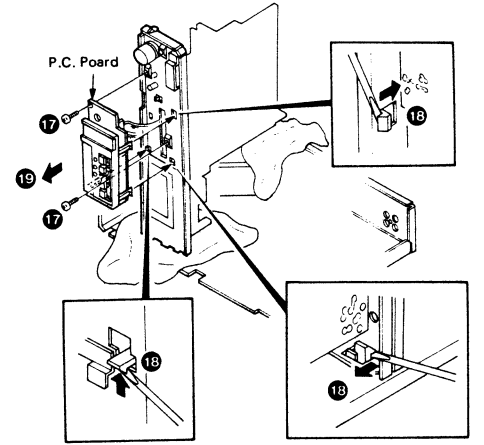


DISASSEMBLY FOR REPAIR

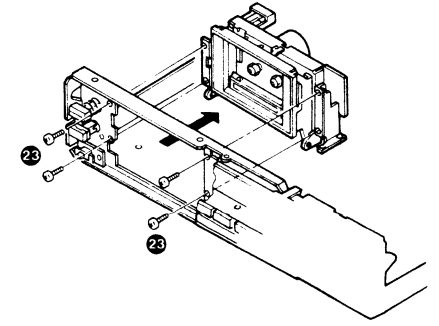
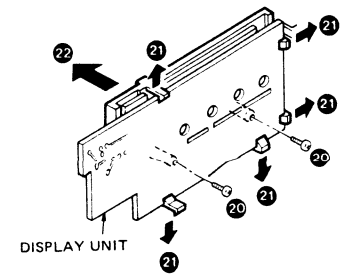
Note: When assembling the sub-panel assembly and chassis, insert the chassis's claw to the inside as shown in 15, and press the sub-panel into a projection of the chassis (A) as shown in 16.



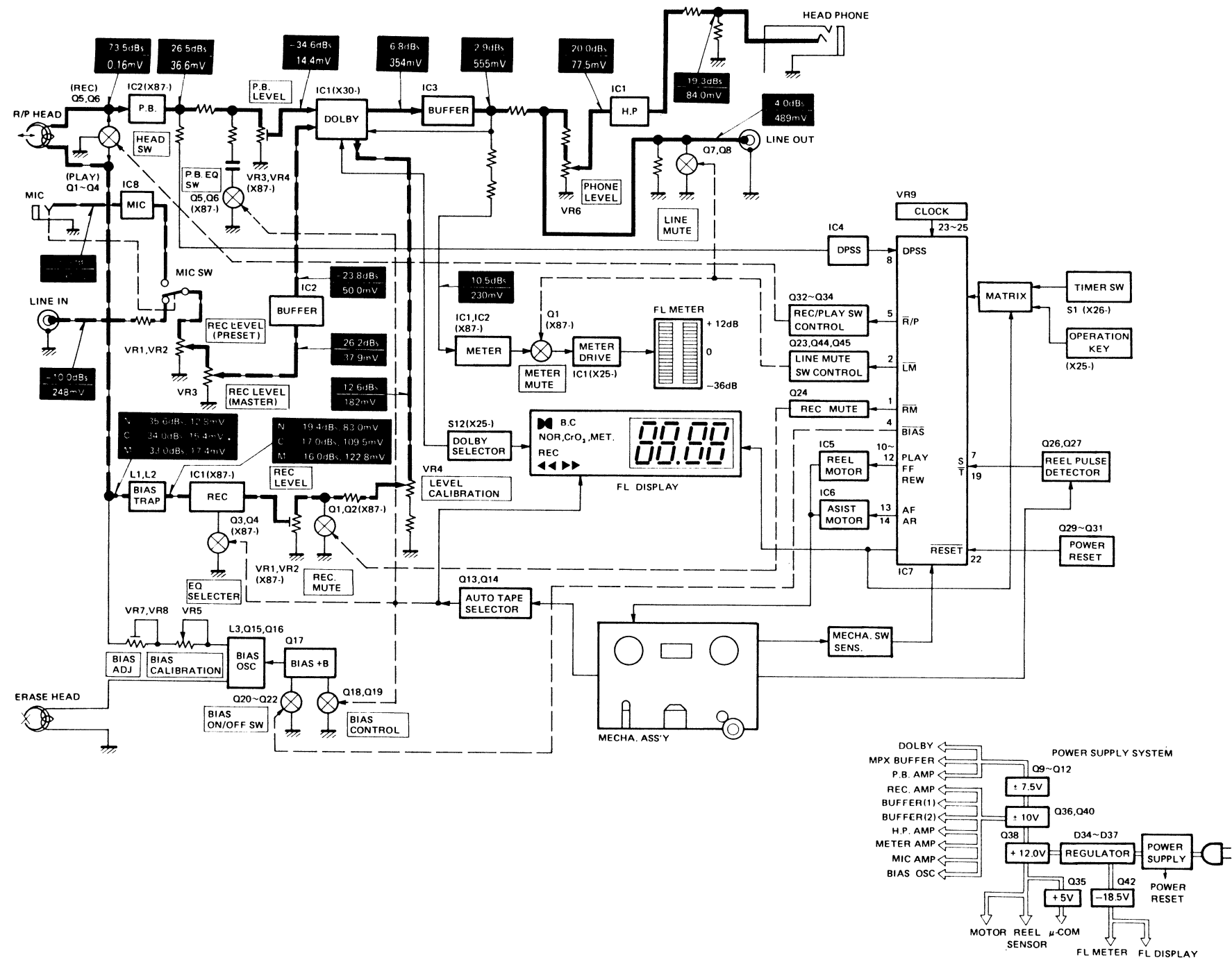
8. Remove 2 screws which fasten the display unit (17), remove 3 hooks fixed on the sub-panel (18), and then pull out the display unit toward you (19).



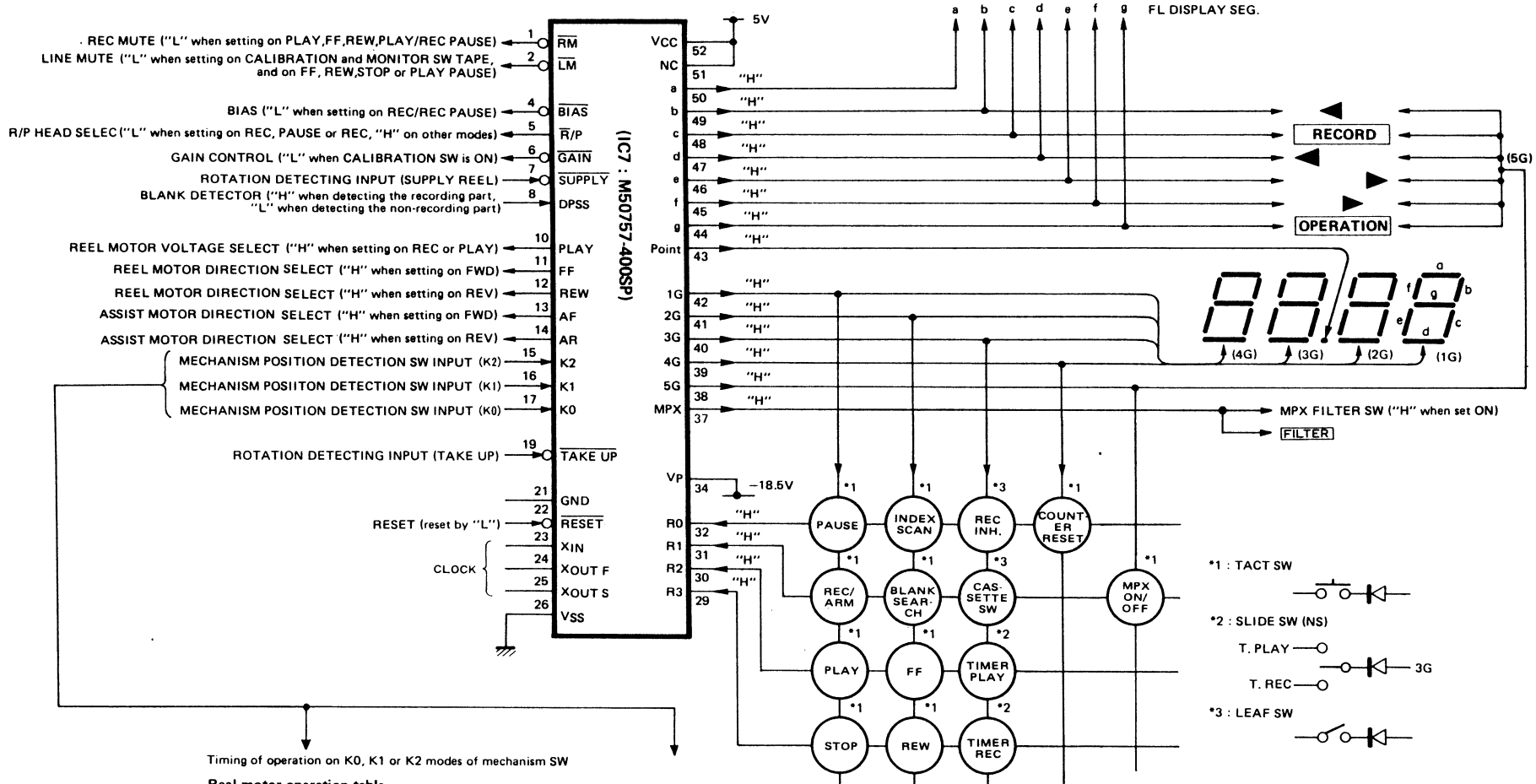
9. Remove 2 screws which fasten the display unit and escutcheon (20).
10. Remove 5 hooks (21), and disassemble the display unit and escutcheon (22).
11. Remove 4 screws on both ends of front side of the sub-panel (23), and remove the mechanism assembly to the rear side.



BLOCK / LEVEL DIAGRAM



CIRCUIT DESCRIPTION



Timing of operation on K0, K1 or K2 modes of mechanism SW

Reel motor operation table

SW Mode Function	MODE SW			REEL MOTOR
	K2	K1	K0	
STOP	OFF	ON	ON	OFF
PLAY	ON	OFF	ON	FWD
PAUSE	ON	ON	OFF	OFF
FF/REW	OFF	OFF	ON	FWD/REV
CUE/REV	ON	ON	OFF	FWD/REV

Assist motor operation table

	Assist motor operation table							
	→	FF REW	STOP	←	PAUSE	↔	PLAY	←
K0	OFF	ON	ON	OFF	OFF	ON	ON	OFF
K1	OFF	OFF	ON	ON	ON	ON	OFF	OFF
K2	OFF	OFF	OFF	OFF	ON	ON	ON	ON

When shifting the current operation to one on right hand of the table, the assist motor rotates in FWD direction. When shifting to the right, the motor rotates in REV direction.

CIRCUIT DESCRIPTION

CASSETTE (X26-1120-11)

Components	Use/Function	Operation/Condition/Interchangeability																
Q1~Q4	Head select SW	OFF when setting on REC or REC PAUSE, and ON when setting on other modes. Requiring high pressure resistance, moderately low saturated voltage and small ON resistance (refer to Q32~Q34).																
Q5,Q6	Head select switch	ON when setting on REC or REC PAUSE, and ON when setting on other modes. (refer to Q32~Q34).																
Q7,Q8	LINE MUTE SW	To output "L" from LM control terminal of 2 pin of microcomputer IC7 when setting on STOP, FF, REW or PLAY PAUSE, setting Q23, Q44, Q45 ON. To apply "H" to Q7, Q8, setting Q7, Q8 ON. (refer to Q23, Q44, Q45).																
Q9,Q11	+ 7.5V power supply	Power supply to stabilize DOLBY AMP., MPX buffer AMP. and PB AMP.																
Q10,Q12	-7.5V power supply	Power supply to stabilize DOLBY AMP., MPX BUFF. AMP. and PB AMP.																
Q13,Q14	AUTO TAPE SEL. control	Controlled by tape detection SW in the mechanism. <table border="1" style="margin: 5px auto; border-collapse: collapse;"> <thead> <tr> <th></th> <th>NORMAL</th> <th>CrO₂</th> <th>METAL</th> </tr> </thead> <tbody> <tr> <td>Q13</td> <td>OFF</td> <td>OFF</td> <td>ON</td> </tr> <tr> <td>Q14</td> <td>OFF</td> <td>ON</td> <td>OFF</td> </tr> </tbody> </table>		NORMAL	CrO ₂	METAL	Q13	OFF	OFF	ON	Q14	OFF	ON	OFF				
	NORMAL	CrO ₂	METAL															
Q13	OFF	OFF	ON															
Q14	OFF	ON	OFF															
Q15,Q16	For BIAS oscillating	To drive the primary side of bias oscillating transformer by push/pull.																
Q17	BIAS oscillator power supply																	
Q18,Q19	BIAS oscillating level select SW	Controlled by AUTO TAPE SEL. Q13, Q14. <table border="1" style="margin: 5px auto; border-collapse: collapse;"> <thead> <tr> <th></th> <th>NORMAL</th> <th>CrO₂</th> <th>METAL</th> </tr> </thead> <tbody> <tr> <td>Q18</td> <td>ON</td> <td>OFF</td> <td>OFF</td> </tr> <tr> <td>Q19</td> <td>OFF</td> <td>ON</td> <td>OFF</td> </tr> </tbody> </table>		NORMAL	CrO ₂	METAL	Q18	ON	OFF	OFF	Q19	OFF	ON	OFF				
	NORMAL	CrO ₂	METAL															
Q18	ON	OFF	OFF															
Q19	OFF	ON	OFF															
Q20~Q22	BIAS oscillator control and SW	To output "L" from BIAS control terminal of 4 pin of microprocessor IC7 when setting on REC or REC PAUSE and "H" when setting on other modes, to control as follows: <table border="1" style="margin: 5px auto; border-collapse: collapse;"> <thead> <tr> <th></th> <th>REC/REC PAUSE</th> <th>OTHER MODES</th> </tr> </thead> <tbody> <tr> <td>Q22</td> <td>ON</td> <td>OFF</td> </tr> <tr> <td>Q21</td> <td>ON</td> <td>OFF</td> </tr> <tr> <td>Q20</td> <td>OFF</td> <td>ON</td> </tr> </tbody> </table>		REC/REC PAUSE	OTHER MODES	Q22	ON	OFF	Q21	ON	OFF	Q20	OFF	ON				
	REC/REC PAUSE	OTHER MODES																
Q22	ON	OFF																
Q21	ON	OFF																
Q20	OFF	ON																
Q23,Q44,Q45	LINE MUTE control	Controlled by output from LM control terminal of 2 pin of microprocessor IC7. To output "H" when setting on PLAY, REC or REC PAUSE, and "L" when setting on STOP, FF, REW, PLAY PAUSE or POWER ON/OFF. (refer to Q7, Q8). <table border="1" style="margin: 5px auto; border-collapse: collapse;"> <thead> <tr> <th></th> <th>REC/PLAY/REC PAUSE</th> <th>OTHER MODES</th> <th>WHEN POWER ON/OFF</th> </tr> </thead> <tbody> <tr> <td>Q23</td> <td>OFF</td> <td>ON</td> <td>ON</td> </tr> <tr> <td>Q44</td> <td>OFF</td> <td>ON</td> <td>ON</td> </tr> <tr> <td>Q45</td> <td>OFF</td> <td>ON</td> <td>ON</td> </tr> </tbody> </table>		REC/PLAY/REC PAUSE	OTHER MODES	WHEN POWER ON/OFF	Q23	OFF	ON	ON	Q44	OFF	ON	ON	Q45	OFF	ON	ON
	REC/PLAY/REC PAUSE	OTHER MODES	WHEN POWER ON/OFF															
Q23	OFF	ON	ON															
Q44	OFF	ON	ON															
Q45	OFF	ON	ON															
Q24	REC MUTE control	To output "L" from RM control terminal of 1 pin of microprocessor IC7 when setting on PLAY, FF, REW, PLAY PAUSE or REC PAUSE, setting Q24 ON. To apply "H" to Q1, Q2 (X87-1030-01) bases, setting Q1, Q2 ON.																
Q25	DPSS input sensitivity select SW	To output "H" from PLAY control terminal of 10 pin of microprocessor IC7 when setting on PLAY, REC or REC PAUSE, setting Q25 ON. As Q25 is ON during PLAY search, the by-pass filter is connected to reverse input of DPSS AMP., to increase input sensitivity.																
Q26,Q27	Rotation detecting AMP.	In reverse, input sensitivity decreases when setting on CUE or REVIEW. To obtain switching signals (5 pulse/rotation) proportional to rotating speed of reel base through the mechanism and shape their waveforms.																
Q28	Reel motor driving control voltage control	ON when setting on PLAY or REC. To output "H" from PLAY control terminal of 10 pin of microprocessor IC7 when setting on PLAY or REC, setting Q28 ON and voltage of 4 pin of IC5 at 3.9V. On other modes, setting Q28 ON and voltage of 4 pin of IC5 at 5.4~6.0V.																
Q29~Q31	Reset	To input "L" to RESET of 22 pin of microprocessor IC7 when POWER ON/OFF, resetting the microprocessor.																
Q32~Q34	Head select control	Controlled by output from R/P control terminal of 5 pin of microprocessor IC7 ("L" when setting on REC or REC PAUSE, "H" on other modes). <table border="1" style="margin: 5px auto; border-collapse: collapse;"> <thead> <tr> <th></th> <th>REC/REC PAUSE</th> <th>OTHER MODES</th> </tr> </thead> <tbody> <tr> <td>Q34</td> <td>ON</td> <td>OFF</td> </tr> <tr> <td>Q33</td> <td>OFF</td> <td>ON</td> </tr> <tr> <td>Q32</td> <td>OFF</td> <td>ON</td> </tr> </tbody> </table>		REC/REC PAUSE	OTHER MODES	Q34	ON	OFF	Q33	OFF	ON	Q32	OFF	ON				
	REC/REC PAUSE	OTHER MODES																
Q34	ON	OFF																
Q33	OFF	ON																
Q32	OFF	ON																

CIRCUIT DESCRIPTION

Components	Use/Function	Operation/Condition/Interchangeability
Q35	+ 5V power supply	Power supply to stabilize Hi voltages in microprocessor and fluorescent display circuits.
Q36,Q37	+ 10V power supply	Power supply to stabilize signal system AMP.
Q38,Q39	+ 12V power supply	Power supply to stabilize MOTOR (CAPSTAN, REEL, ASSIST) system.
Q40,Q41	-10V power supply	Power supply to stabilize signal system AMP.
Q42,Q43	-18.5V power supply	Power supply to stabilize Lo voltage in fluorescent display circuit.
IC1	Headphone AMP.	
IC2	MPX BUFF. AMP.	
IC3	Output BUFF. AMP.	
IC4	DPSS AMP.	To output "L" from 1 pin of IC4 when detecting the non-recording part, and "H" when detecting the recording part.
IC5	Reel motor driving	
IC6	Assist motor driving	
IC7	μ-COM.	Refer to illustrations of terminals of M50757-400SP. (page 0)
IC8	MIC AMP	

DISPLAY (X25-2450-00)

Components	Use/Function	Operation/Condition/Interchangeability
Q1,Q2	Peak hold reset	To form a flip-flop circuit by Q1,Q2 and reset Q2 by setting it ON instantly every three seconds.
IC1	Level meter driving	2 ch dynamic.

DOLBY (X30-1230-01)

Components	Use/Function	Operation/Condition/Interchangeability
Q1~Q4	MPX FILTER SW	To output "H" from MPX control terminal of 37 pin of microprocessor IC7 when TIMER REC and MPX FILTER SW (X25-2450-00) is ON, setting Q1~Q4 and FILTER ON.
IC1	DOLBY B/C AMP.	

METER AMP. (X87-1020-00)

Components	Use/Function	Operation/Condition/Interchangeability
Q1	METER MUTE SW	OFF when setting on PLAY, REC or REC PAUSE, and ON when setting on on other modes (refer to Q23,Q44,Q45 of X26-1120-00).
IC1	1/2 exponent compression AMP.	To output DC voltages proportional to 1/2 exponent of AC input signals.
IC2	DC AMP.	To amplify IC1 output voltages to required level.

REC/PLAYBACK (X87-1030-01)

Components	Use/Function	Operation/Condition/Interchangeability
Q1,Q2	REC MUTE SW	To output "L" from RM control terminal of 1 pin of microprocessor IC7 (X26-1120-11) when setting on PLAY, FF, REW, PLAY PAUSE or REC PAUSE setting Q24 (X26-1120-11) ON. To apply "H" to Q1,Q2 bases setting Q1,Q2 ON.
Q3,Q4	Equalizer select SW (for METAL)	Controlled by AUTO TAPE SEL. (X26-1120-11) of Q13,Q14. OFF when setting on METAL TAPE and ON when setting on NORMAL, CrO ₂ tape.
Q5,Q6	Playbac select SW (for METAL)	Controlled by AUTO TAPE SEL. (X26-1120-11) of Q13,Q14. OFF when setting on NORMAL tape (120μs) and ON when setting on CrO ₂ , METAL tape (70μs).
IC1	REC equalizer AMP.	
IC2	Playback equalizer AMP.	

ADJUSTMENT

No.	ITEM	INPUT SETTINGS	OUTPUT SETTINGS	CASSETTE TAPE DECK SETTINGS	ALIGNMENT POINTS	ALIGN FOR	FIG.
CASSETTE DECK SECTION		TAPE: NORMAL.	DOLBY: OFF.	INPUT: LINE.	CALIBRATION: CENTER		0dBs = 0.775V
I REC/PLAY HEAD							
[1]	DEMAGNETIZATION	-	-	POWER: OFF Remove the cassette door.	REC/PLAY head	Demagnetize the REC/PLAY head with a head demagnetizer.	
[2]	CLEANING	-	-	PLAY	REC/PLAY head erase head, capstan, pinch roller.	Clean the REC/PLAY head erase head, capstan and pinch roller using a cotton swab slightly damped with alcohol.	
[3]	AZIMUTH	WTT-256 10kHz, -20dB	(B)	PLAY	Azimuth adjustment screw	Adjust the azimuth adjustment screw so that the output voltage is maximized in both forward and reverse direction.	(a)
DC MOTOR							
(1)	TAPE SPEED	WTT-111D	(B)	PLAY	Trimming potentiometer in the DC motor	Adjust the tape speed so that a 3kHz signal is produced at the center of the tape.	
II PC BOARD (X26-1120-11,X87-1030-01,X87-1020-00)							
<1>	PLAYBACK LEVEL	WTT-150	(B)	PLAY	(X87-1030B/2) VR3 (L) VR4 (R)	Output level: -1.8dBs	
		WTT-256				Output level: -4.5dBs	
		WTT-256U				Output level: -0.5dBs	
<2>	BIAS CURRENT	(A) 1kHz, -30dBs 10kHz, -30dBs	(B)	Adjust REC and BALANCE so that the REC monitor output becomes -24dBs at 1kHz, then record and reproduce signal of 1kHz and 10kHz in alternation.	(X26-1120) VR7 (L) VR8 (R)	Record 1kHz and 10kHz in alternation and adjust the variable resistors which control the bias current so that the same playback level is obtained.	
<3>	RECORD LEVEL	(A) 1kHz, -30dBs	(B)	Record and reproduce a 1kHz signal under the conditions set in <2>	(X87-1030A/2) VR1 (L) VR2 (R)	Adjust the variable resistors so that a playback level of -24dBs is obtained.	
<4>	FL PEAK LEVEL METER	(A) 1kHz, -10dBs	(B)	REC PAUSE Adjust REC and LEVEL VR so that the monitor output is -4dBs at 1kHz.	(X87-1020) VR1	0dB LED segment is completely lit.	
III μ-COM CLOCK ADJ							
(1)	CLOCK ADJ	-	-	-	(X26-1120) VR9	138Hz (TP3)	(b) P8

REGLAGE

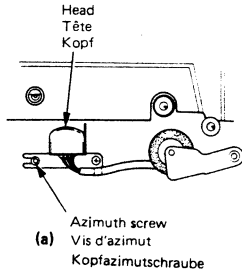
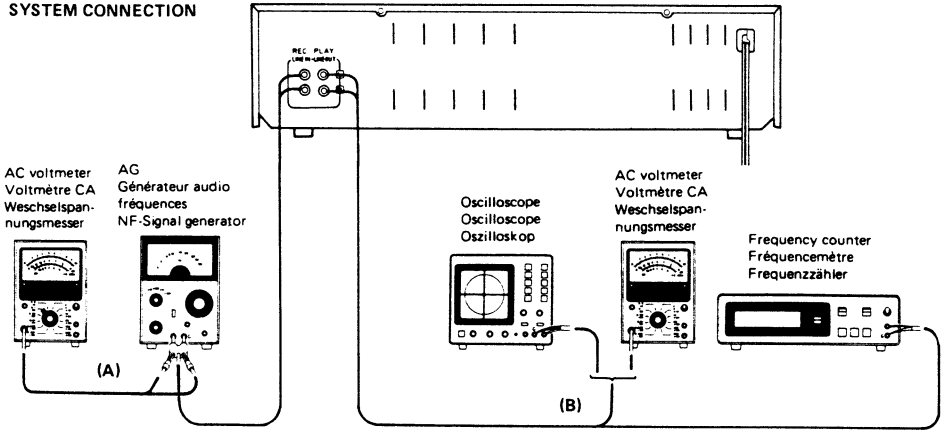
ABGLEICH

N°	ITEM	REGLAGE DE L'ENTREE	REGLAGE DE LA SORTIE	REGLAGE DU MAGNETO-PHONE A CASSETTE	POINTS DE L'ALIGNEMENT	ALIGNER POUR	FIG.
SECTION DU MAGNETOPHONE TAPE: NORMAL, DOLBY: OFF, ENTREE: LINE, CALIBRAGE: MILIEU							0dBs = 0,775V
I TETE D'ENREGISTREMENT-LECTURE							
[1]	DEMAGNETISATION	-	-	POWER: OFF Eloigner la porte.	Tête D'ENREGISTREMENT/LECTURE	Demagnétiser la tête D'ENREGISTREMENT/LECTURE avec un démagnétiseur de tête.	
[2]	NETTOYAGE	-	-	PLAY	Tête D'ENREGISTREMENT/LECTURE tête d'effacement, cabestan, galetresseur.	Nettoyer la tête la tête d'effacement, le cabestan et le galetresseur avec un coton-tige légèrement imbibé d'alcool.	
[3]	AZIMUT	MTT-256 10kHz, -20dB	(B)	PLAY	Vis d'azimut	Ajuster la vis de réglage de l'azimut de façon que la tension de sortie soit maximale à la fois en avant et en arrière, de la bande d'essai.	(a)
MOTEUR CC							
(1)	VITESSE DE DEFILEMENT	MTT-111D	(B)	PLAY	Résistance ajustable du moteur CC	Régler la vitesse de bande de façon qu'un signal de 3kHz soit produit au centre de la bande.	
II PLAQUE IMPRIMEE (X26-1120-11, X87-1030-01, X87-1020-00)							
<1>	NIVEAU DE LECTURE	MTT-150 MTT-256 MTT-256U	(B)	PLAY	(X87-1030B/2) VR3 (G) VR4 (D)	Niveau de sortie: -1,8dBs Niveau de sortie: -4,5dBs Niveau de sortie: -0,5dBs	
<2>	COURANT DE POLARISATION	(A) 1kHz, -30dBs 10kHz, -30dBs	(B)	Régler REC et BALANCE de façon que la sortie de moniteur REC soit de -24dBs à 1kHz, puis enregistrer et reproduire des signaux de 1kHz et 10kHz en alternance.	(X26-1120) VR7 (G) VR8 (D)	Enregistrer un signal de 1kHz et 10kHz en alternance et ajuster les résistances variables qui commandent le courant de polarité de façon à obtenir le même niveau de lecture.	
<3>	NIVEAU D'ENREGISTREMENT	(A) 1kHz, -30dBs	(B)	Enregistrer et reproduire un signal de 1kHz dans les conditions précisées en <2>.	(X87-1030A/2) VR1 (G) VR2 (D)	Ajuster les résistances variables de façon à obtenir un niveau de lecture de -24dBs.	
<4>	INDICATEUR DE NIVEAU DE CRETE A FL	(A) 1kHz, -10dBs	(B)	REC PAUSE Ajuster REC et NIVEAU VR de façon à ce que la sortie moniteur soit de -4dBs à 1kHz.	(X87-1020) VR1	Le segment de FL 0dB soit complètement allumé.	
III µ-COM MONTEUR REGLAGE							
(1)	MONTEUR REGLAGE	-	-	-	(X26-1120) VR9	138Hz (TP3)	(b) P8

NR.	GEGENSTAND	EINGANGS-EINSTELLUNG	AUSGANGS-EINSTELLUNG	KASSETTEGERAT-EINSTELLUNG	ABGLEICH PUNKTE	ABGLEICHEN FÜR	ABB.
CASSETTEN-DECK-ABTEILUNG TAPE: NORMAL, DOLBY: OFF, EINGANG: LINE, KALIBREUNG: MITTE							0dBs = 0,775V
I AUFNAHME/WIEDERGABE-KOPF							
[1]	ENTMAGNETISIERUNG	-	-	POWER: OFF Den Kassettenfach deckel oben herausziehen.	AUFNAHME/WIEDERGABE-Kopf	Entmagnetisierung von dem AUFNAHME/WIEDERGABE-Kopf mit einem Tonkopf Entmagnetisierungsrossel.	
[2]	REINIGUNG	-	-	PLAY	AUFNAHME/WIEDERGABE-Kopf Löschkopf, Tonwelle, Andruckrolle.	AUFNAHME/WIEDERGABE-Kopf, Löschkopf, Tonwelle und Andruckrolle mit einem leicht mit Alkohol befeuchteten Wattebausch reinigen.	
[3]	AZIMUT-EINSTELLUNG	MTT-256 10kHz, -20dB	(B)	PLAY	Azimut-Einstellschraube	Die Azimut-Justierschraube so einstellen, daß die maximale Ausgangsspannung in Vorwärts-Reverserichtung und erzielt.	(a)
GLEICHSTROMMOTOR							
(1)	BANDGESCHWINDIGKEIT	MTT-111D	(B)	PLAY	Trimmer potentiometer am Gleichstrommotor	Die Bandgeschwindigkeit so justieren, daß ein 3kHz Signal auf der Mitte des Bands erzeugt wird.	
II GEDRUCKTE SCHALTPLATTE (X26-1120-11, X87-1030-01, X87-1020-00)							
<1>	WIEDERGABE-PEGEL	MTT-150 MTT-256 MTT-256U	(B)	PLAY	(X87-1030B/2) VR3 (L) VR4 (R)	Ausgangspegel: -1,8dBs Ausgangspegel: -4,5dBs Ausgangspegel: -0,5dBs	
<2>	LEERLAUFSTROM	(A) 1kHz, -30dBs 10kHz, -30dBs	(B)	REC und BALANCE so justieren, daß der REC Monitorausgang -24dBs bei 1kHz wird, und danach abwechselnd Signale von 1kHz und 10kHz aufnehmen und wiedergeben.	(X26-1120) VR7 (L) VR8 (R)	Signale von 1kHz und 10kHz abwechselnd aufnehmen und die Regelwiderstände, die den Vormagnetisierungsstrom regeln, so justieren, daß der gleiche Niedrigabpegel erzielt wird.	
<3>	AUFNAHMEPEGEL	(A) 1kHz, -30dBs	(B)	Ein 1kHz Signal unter den in Punkt <2> beschriebenen Bedingungen aufnehmen und reproduzieren.	(X87-1030A/2) VR1 (L) VR2 (R)	Die Regelwiderstände so justieren, daß ein wiedergabepegel von -26dBs erzielt wird.	
<4>	FL SPITZEN-PEGELMESSER	(A) 1kHz, -10dBs	(B)	REC PAUSE REC und PEGEL VR so einstellen, daß der Monitorausgang bei 1kHz, -4dBs ist.	(X87-1020) VR1	Die Regelwiderstände so justieren, daß das 0dB Segment vollständig leuchtet.	
III µ-COM UHR ABGLEICH							
(1)	UHR ABGLEICH	-	-	-	(X26-1120) VR9	138Hz (TP3)	(b) P8

ADJUSTMENT/REGLAGE/ABGLEICH

SYSTEM CONNECTION



(X26-1120-11)

	B	C	E
Q9	7.9V	10.2V	7.2V
Q10	-7.9V	-10.2V	-7.2V
Q13	-	-18.5V(PLAY, REC, 6.5V(M))	-
Q17	-0.9V(1) 2.0V(C) 7.0V(M)	10.2V	-1.6V(1) REC 1.3V(C) REC 3.0V(M) PAUSE -9.9V(OTHERS)
Q18	-	-	-10.2V
Q19	-	-	-10.2V
Q20	-	-	-10.2V
Q21	-	-	-10.2V
Q22	-	-	3V
Q23	-	-18.2V(PLAY, REC, REC PAUSE) 4.4V(OTHERS)	4.4V
Q24	-	-3.2V(REC, 4.4V(OTHERS))	4.4V
Q32	-	0V(REC, REC PAUSE) 6.2V(OTHERS)	-
Q34	-	7V (REC, REC PAUSE) 0V(OTHERS)	-
Q35	5.6V	10.3V	5V
Q36	10.8V	12.0V	10.2V
Q38	12.5V	22.3V	12V
Q39	13.3V	22.3V	12.7V
Q40	-10.9V	-22.6V	-10.2V
Q42	-19.3V	-39.7V	-18.7V
Q43	-5.8V	-19.3V	-5.1V
Q44	-18.2V(PLAY, REC PAUSE) 4.4V(OTHERS)	-	0V
Q45	-	-	-1.7V

	D	S	3
Q11	10.2V	7.9V	7.9V
Q12	-7.9V	-10.2V	-10.2V
Q37	12V	10.8V	11.8V
Q41	-10.9V	-	-

(X25-2450-00)

	E
Q1	-18.7V
Q2	-18.7V

IC1

1	-18.7V
25	-3.2V
26	-15V
27	-17.7V
28	-17.7V

(X30-1230-01)

	IC1
1	-
2	-
3	0V
4	7.5V
5	0V
6	0V
7	0V
8	0V
9	0V
10	0V
11	0V
12	0V
13	-7.1V
14	-7.2V
15	0V
16	-7.1V
17	-7.2V
18	0V
19	0V
20	0V
21	0V

IC1

1	0V
2	0V
3	0V
4	-10.2V
5	0V
6	0V
7	0V
8	10.2V

IC2

1	0V
2	0V
3	0V
4	-7.2V
5	0V
6	0V
7	0V
8	7.2V

IC3

1	0V
2	0V
3	0V
4	-10.2V
5	0V
6	0V
7	0V
8	10.2V

IC4

1	0V
2	0V
3	0V
4	-10.2V
5	0V
6	0V
7	0V
8	10.2V

IC5

1	3.9V(FF, REV)
4	5.4V(STOP, PAUSE)
7	3.9V(PLAY, REC)
12V	

IC6

1	3.9V
7	12V
8	12V

IC7

34	-18.7V
51	5V
52	5V

(X87-1020-00)

	IC1
1	-
2	-
3	0.7V
4	2V
5	-
6	2V
7	0.7V
8	-
9	10.2V

IC2

1	0V
2	0V
3	0V
4	-13.6V
5	0V
6	0V
7	0V
8	10.3V

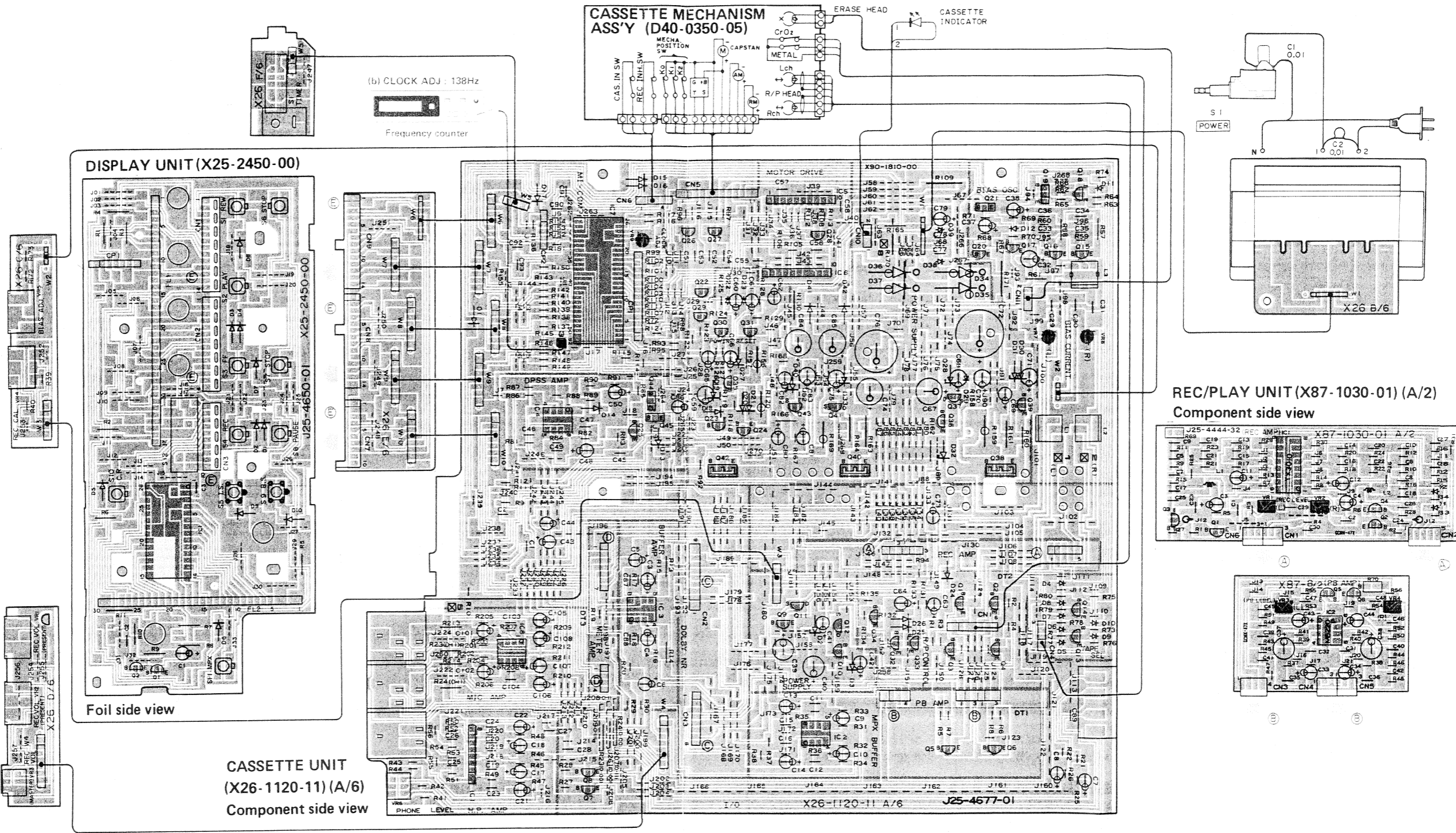
(X87-1030-01)

	IC1
5	-10V
5.9V(M)	
9	0V(C)
-6.3V(M)	
11	10.2V

IC2

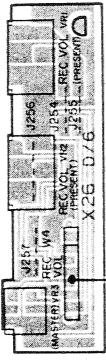
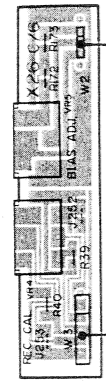
1	0V
2	-
3	-
4	-7.8V
5	-
6	-
7	-
8	7.8V

PC BOARD

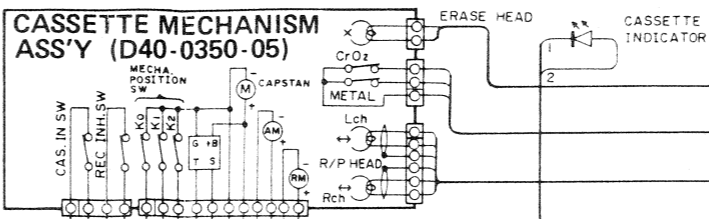


DISPLAY UNIT (X25-2450-00)

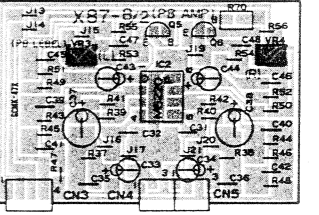
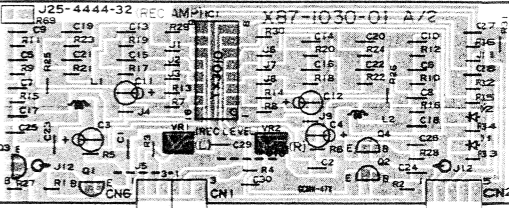
Foil side view



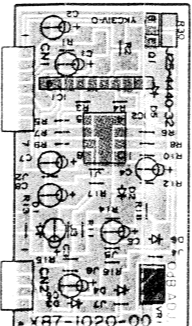
CASSETTE UNIT (X26-1120-11) (A/6)
Component side view



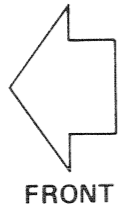
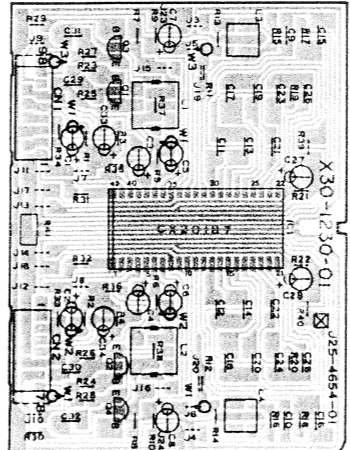
REC/PLAY UNIT (X87-1030-01) (A/2)
Component side view



METER AMP UNIT (X87-1020-00)
Component side view

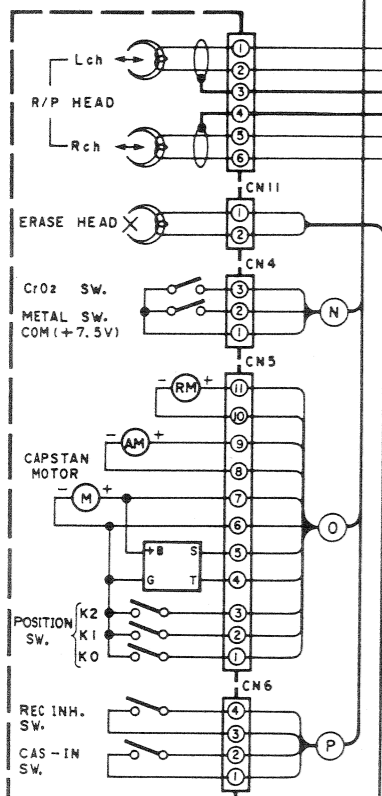


DOLBY UNIT (X30-1230-01)
Component side view



Refer to the schematic diagram for the values of resistors and capacitors

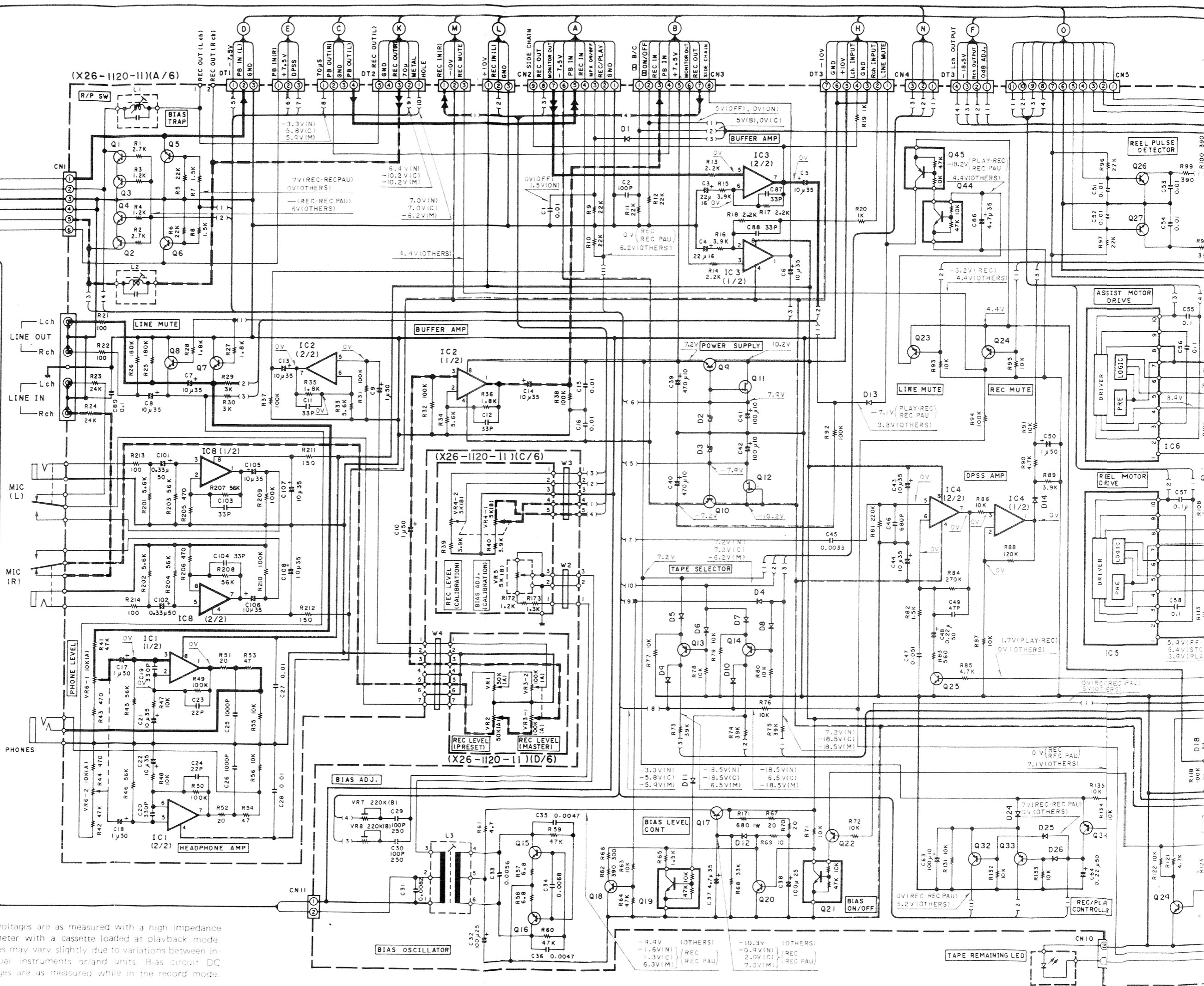
(D40-0350-05)



(X26-1120-11)

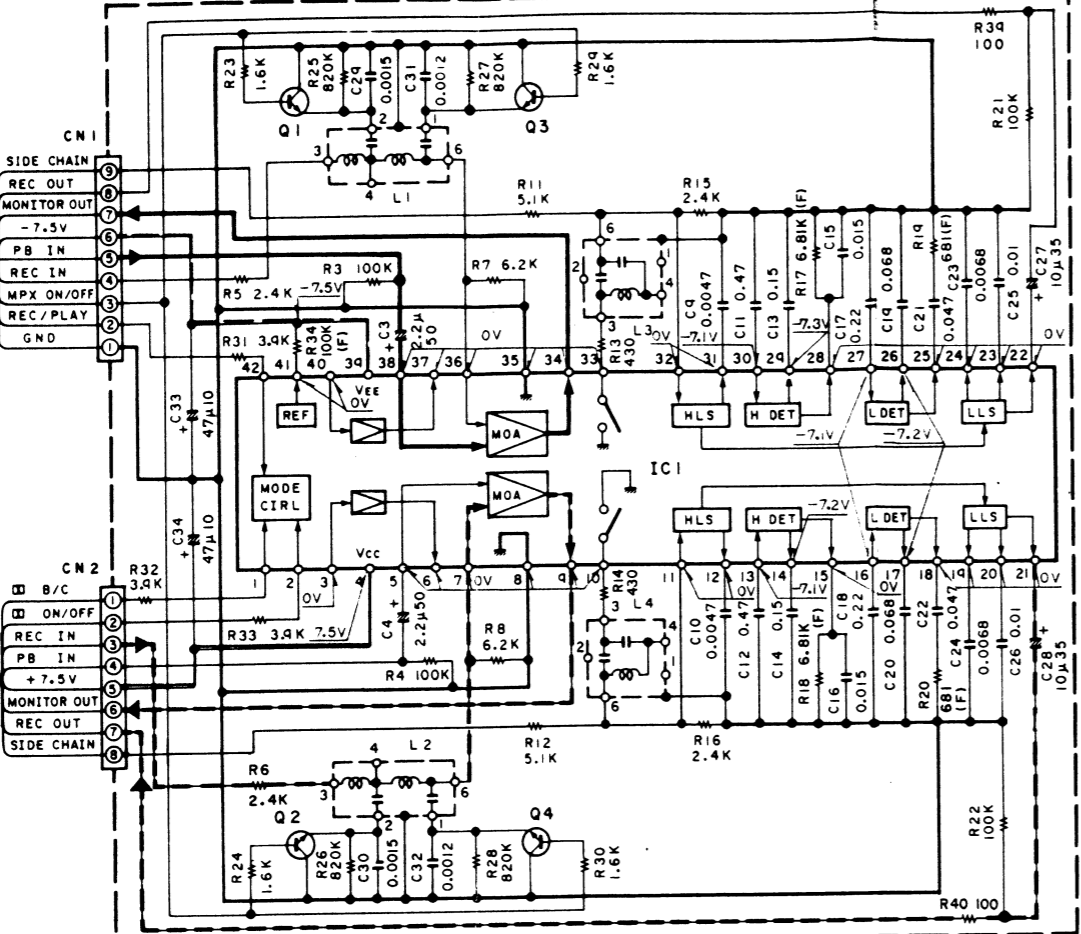
IC1 : M5218L
 IC2,8 : NJM4558D(A)
 IC3 : M5218P
 IC4 : M5218P, AN6556
 or NJM4558D
 IC5 : BA6224
 IC6 : BA6204
 IC7 : M50757-400SP

Q1-6 : 2SC1845(F,E)
 Q7,8 : 2SD1302(S)
 Q9,18,20,25-31,39 : 2SC1740S(Q,R), 2SC1685R(S),
 or 2SC445(A)(Q,P)
 Q10,13,14,22-24,32,34,43 : 2SA933S(Q,R), 2SA1127NCR(S),
 or 2SA733(A)(Q,P)
 Q11,12,37,41 : 2SK301(R,S)
 Q15-17,35 : 2SC2060(Q,R) or 2SD863(E,F)
 Q19,21,44 : DT114YFF
 Q33 : 2SA992(F,E)
 Q36 : 2SD882(Q,P)
 Q38 : 2SD1266(Q,P)
 Q40,42 : 2SB772*(I)(Q,P)
 Q45 : DT114YFF
 D1,13-20,24,25 : IS2076 or IS1555
 D2,3 : RD8.2JS(B2)
 D4-12,22,23,29 : ISS176
 D21,40 : RD5.1E(B2)
 D26 : ISS53
 D27,30 : RD5.6E(B2)
 D28,33 : RD11E(B2)
 D31 : RD8.2E(B2)
 D32 : RD3.4E(B)
 D34-37 : GP20DL
 D38,39 : ISS178
 D41,42 : DSM1A1

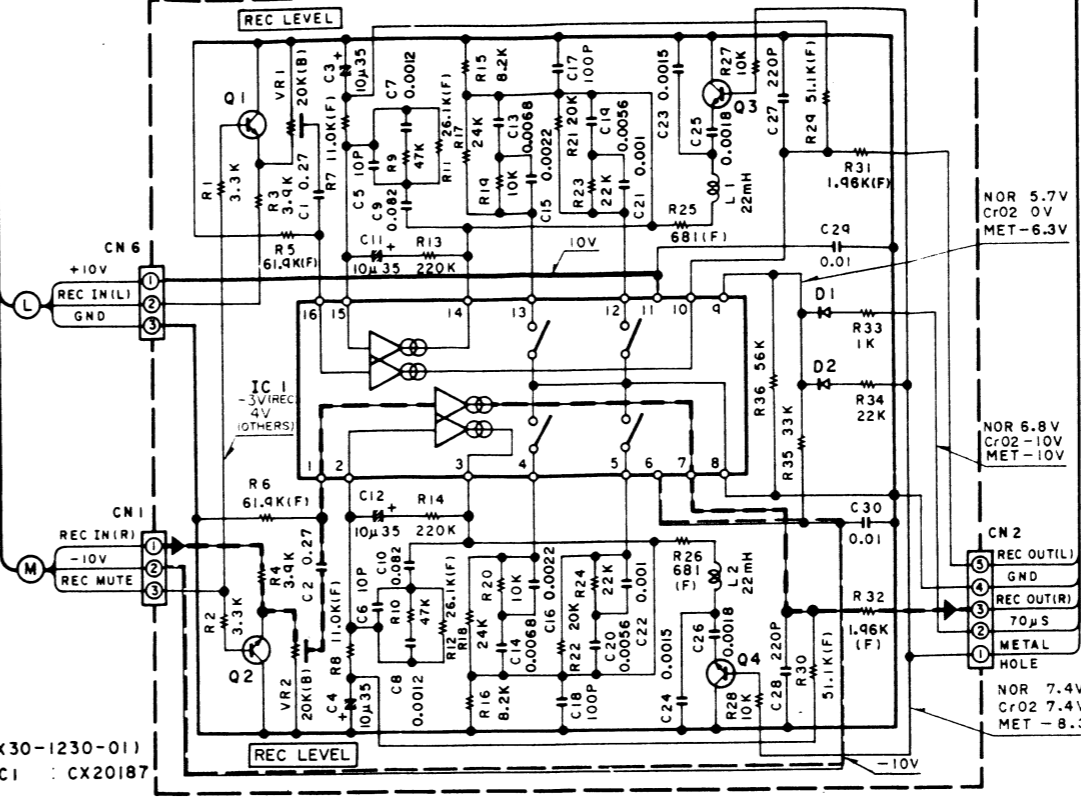


• DC voltages are as measured with a high impedance voltmeter with a cassette loaded at playback mode. Values may vary slightly due to variations between individual instruments or/and units. Bias circuit DC voltages are as measured while in the record mode.

DOLBY UNIT (X30-1230-01)

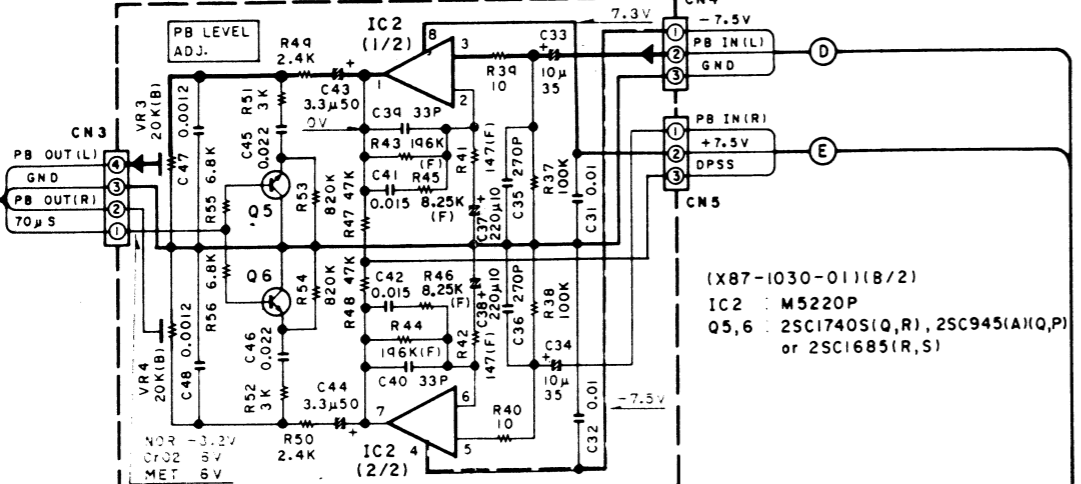


REC/PLAY UNIT (X87-1030-01) (A/2)



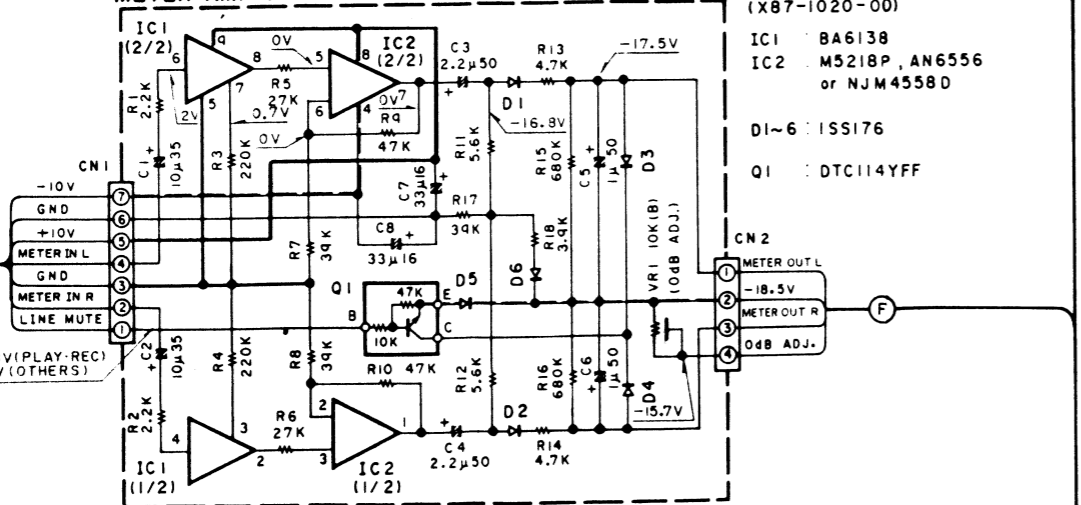
(X30-1230-01)
IC1 : CX20187
Q1-4 : 2SC1740S(Q,R) or 2SC945(A)(Q,P)

REC/PLAY UNIT (X87-1030-01) (B/2)



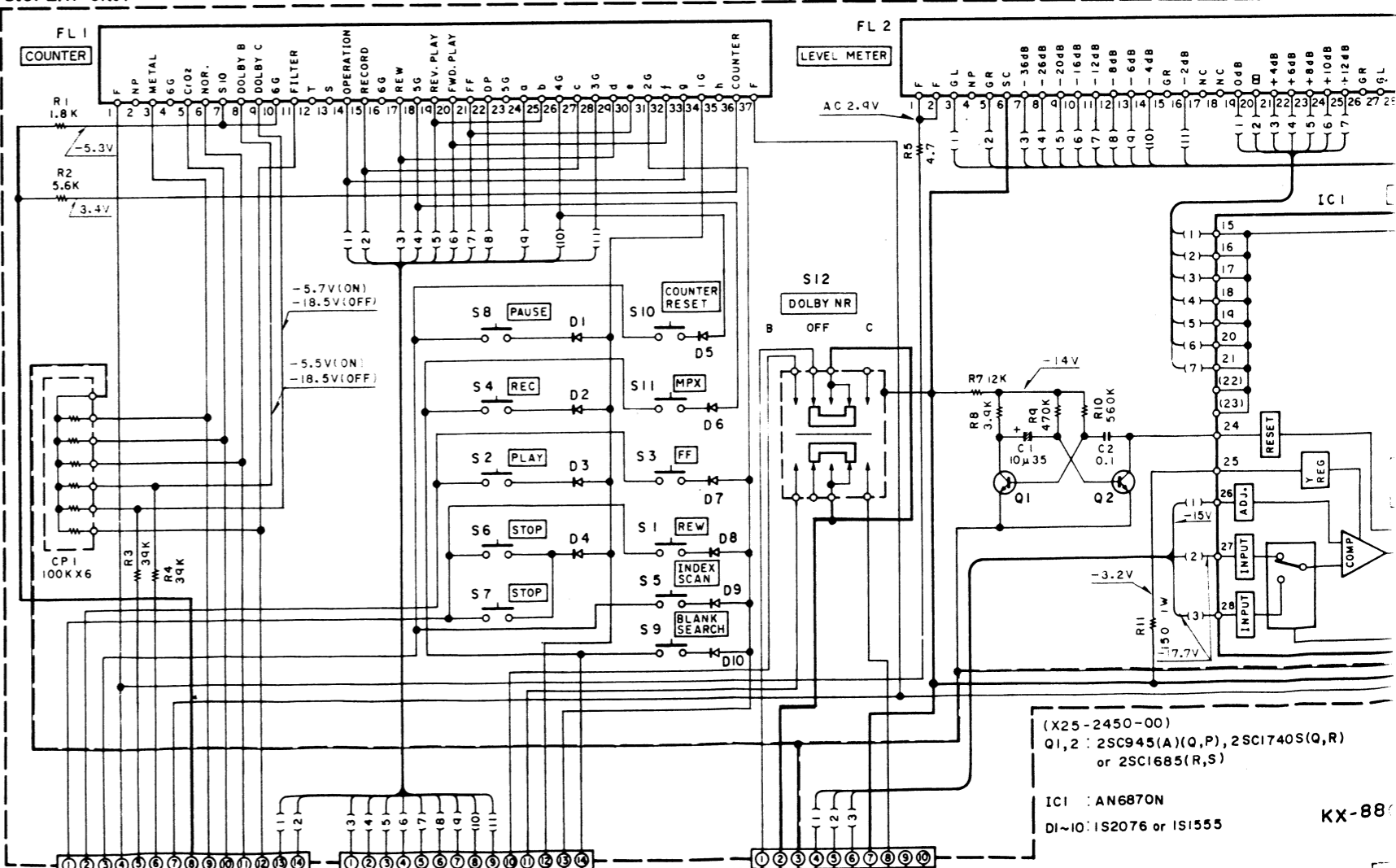
(X87-1030-01)(B/2)
IC2 : M5220P
Q5,6 : 2SC1740S(Q,R), 2SC945(A)(Q,P) or 2SC1685(R,S)

METER AMP UNIT (X87-1020-00)



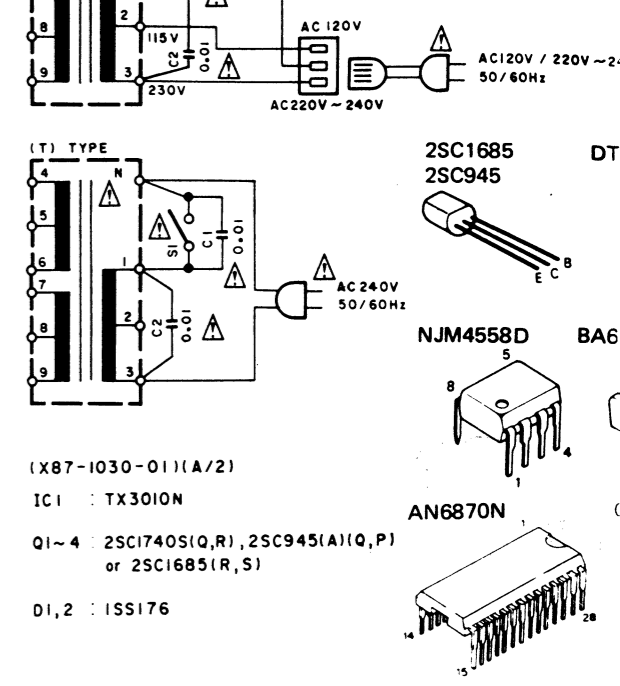
(X87-1020-00)
IC1 : BA6138
IC2 : M5218P, AN6556 or NJM4558D
D1-6 : 1SS176
Q1 : DTC114YFF

DISPLAY UNIT (X25-2450-00)

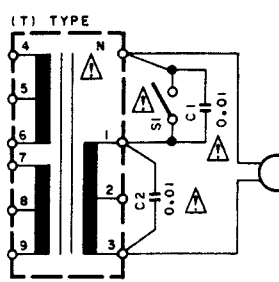
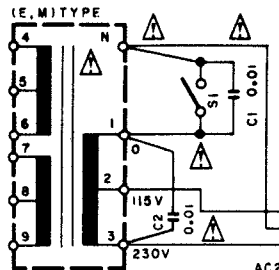
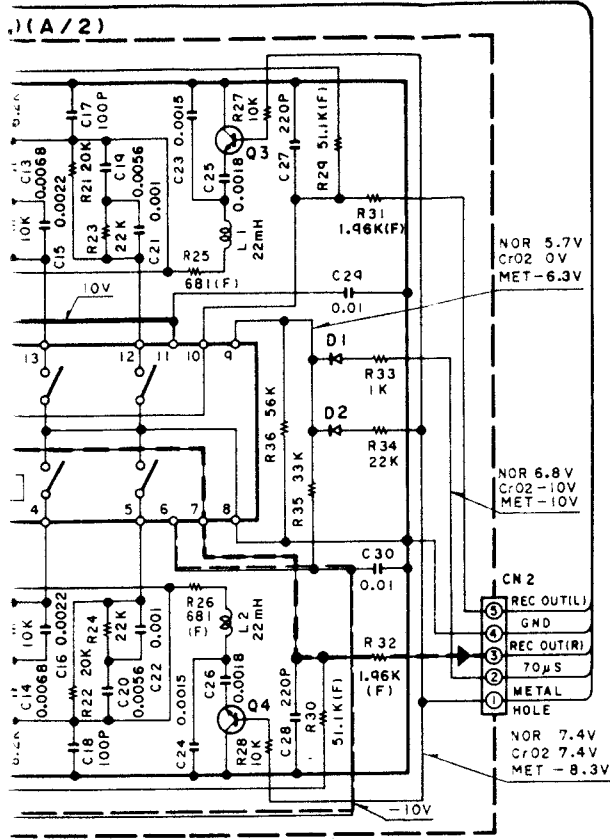


(X25-2450-00)
Q1,2 : 2SC945(A)(Q,P), 2SC1740S(Q,R) or 2SC1685(R,S)
IC1 : AN6870N
D1-10 : 1S2076 or 1S1555

CAUTION: For continued safe operation only with manufacturer's parts list. Δ Indicates safety measurements shall be carried out by insulated personnel only. The supply returned to the customer.

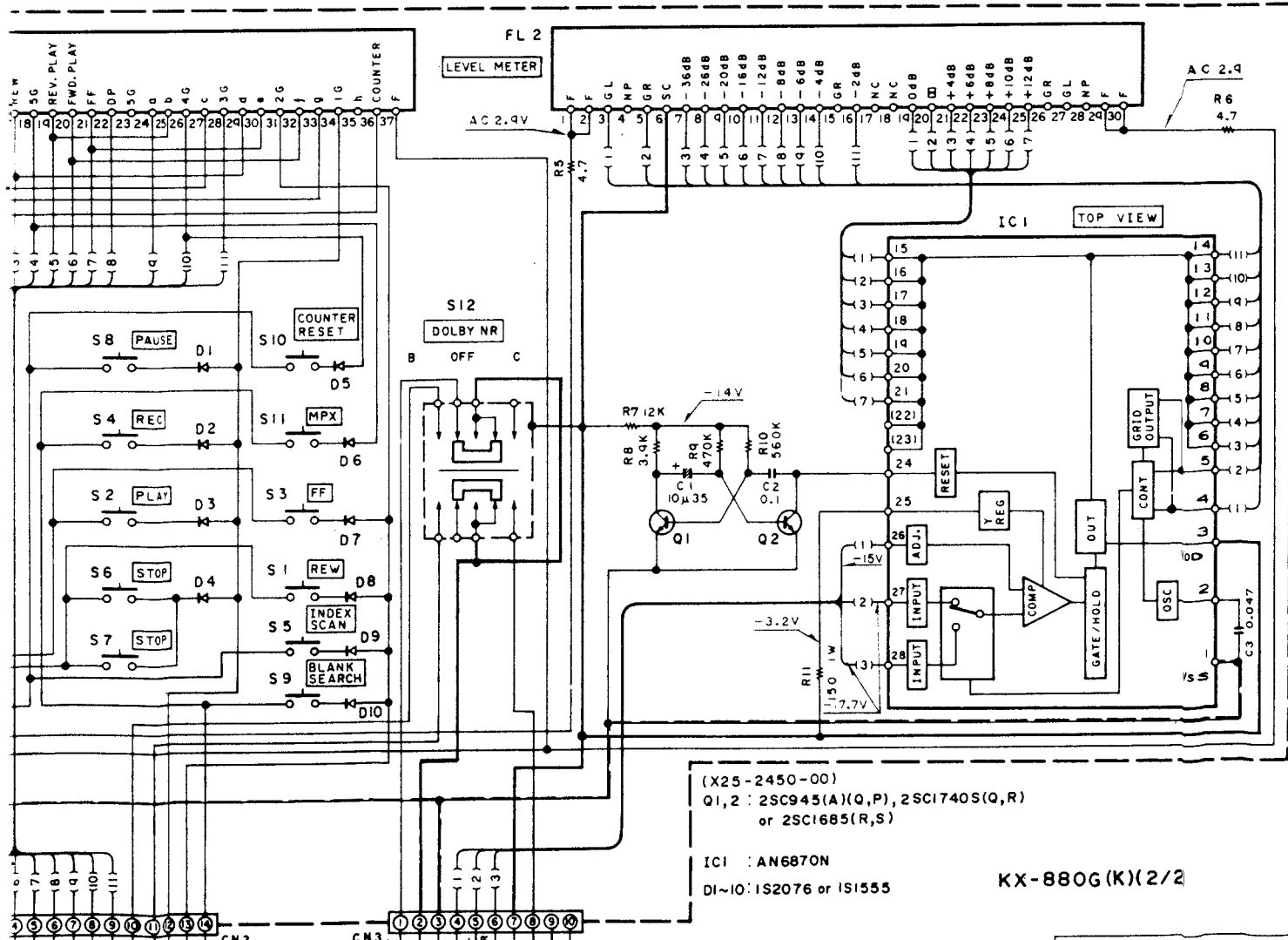
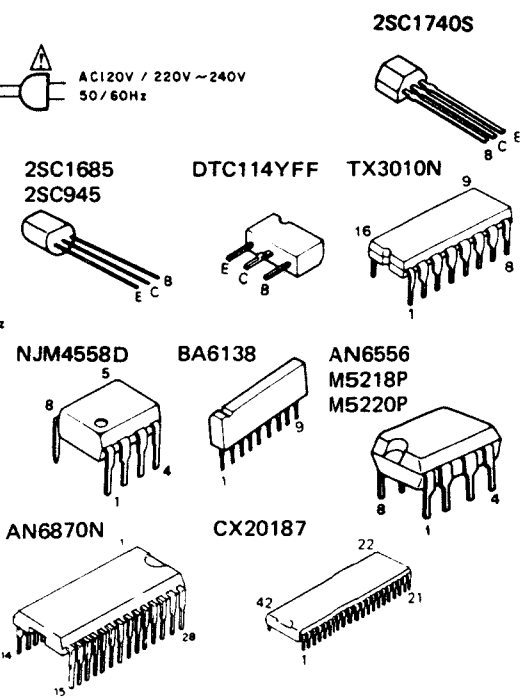


DC voltages are as measured with a high impedance voltmeter with a cassette loaded at playback mode. Values may vary slightly due to variations between individual instruments and/or units. Bias circuit DC voltages are as measured while in the record mode.



(X87-1030-01)(A/2)
 IC1 : TX3010N
 Q1~4 : 2SC1740S(Q,R), 2SC945(A)(Q,P)
 or 2SC1685(R,S)
 D1,2 : 1S176

CAUTION: For continued safety, replace safety critical components only with manufacturer's recommended parts (refer to parts list). Δ Indicates safety critical components. To reduce the risk of electric shock, leakage-current or resistance measurements shall be carried out (exposed parts are acceptably insulated from the supply circuit) before the appliance is returned to the customer.



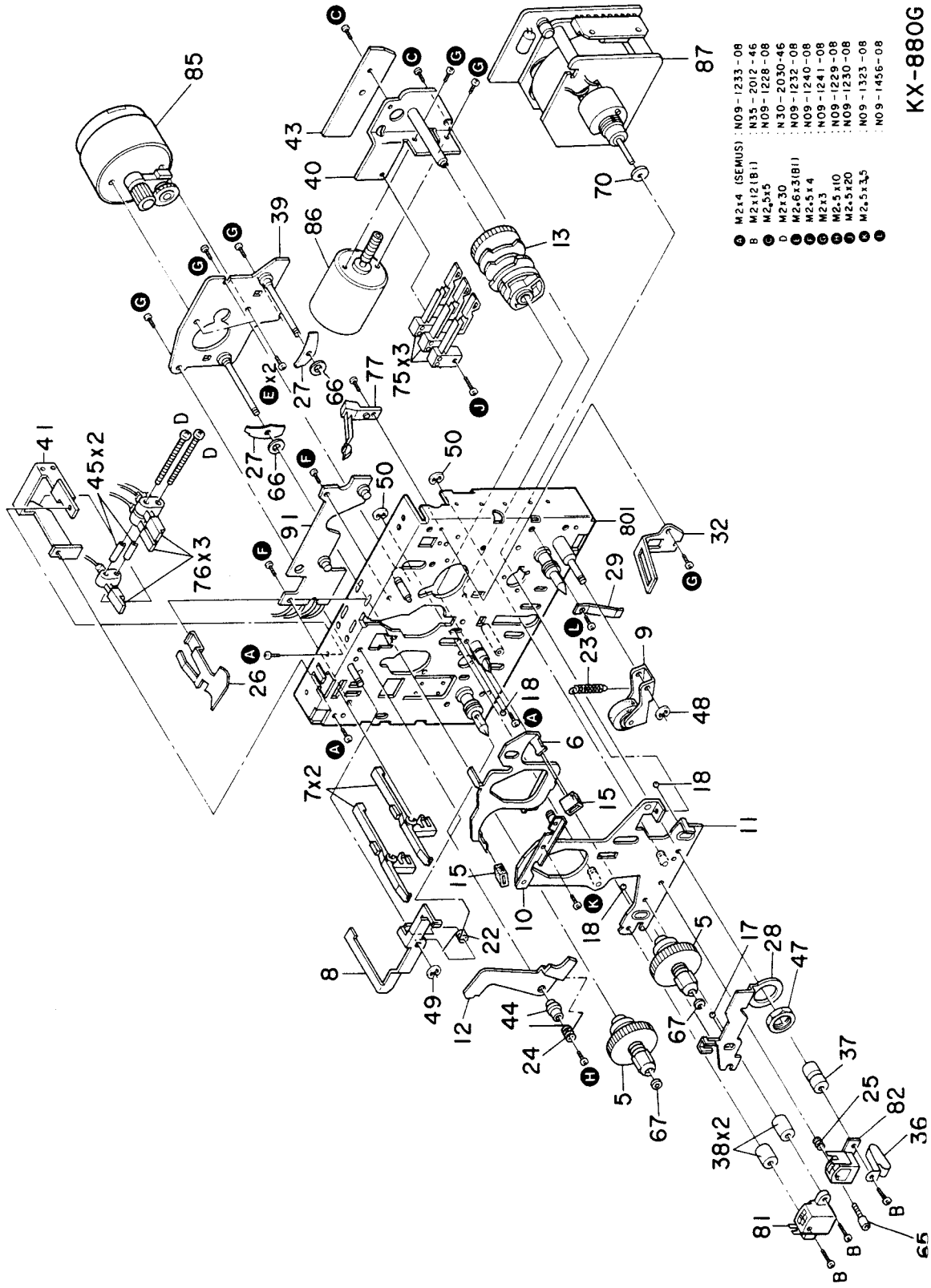
(X25-2450-00)
 Q1,2 : 2SC945(A)(Q,P), 2SC1740S(Q,R)
 or 2SC1685(R,S)
 IC1 : AN6870N
 D1-10 : 1S2076 or 1S1555

KX-880G (K) (2/2)

DC voltages are as measured with a high impedance voltmeter with a cassette loaded at playback mode. Values may vary slightly due to variations between individual instruments or/and units. Bias circuit DC voltages are as measured while in the record mode.



EXPLODED VIEW(MECHANISM)



- Ⓐ M2x4 (SEMUS) : NO9-1233-08
- Ⓑ M2x12 (B1) : N35-2012-46
- Ⓒ M2.5x5 : NO9-1228-08
- Ⓓ M2x30 : N30-2030-46
- Ⓔ M2.6x3(B1) : NO9-1232-08
- Ⓕ M2.5x4 : NO9-1240-08
- Ⓖ M2.5x10 : NO9-1241-08
- Ⓗ M2.5x20 : NO9-1229-08
- Ⓘ M2.5x5 : NO9-1330-08
- Ⓚ NO9-1323-08
- Ⓛ NO9-1456-08

KX-880G

Parts with the exploded numbers larger than 700 are not supplied.

PARTS LIST

* New Parts

Parts without Parts No. are not supplied.

Les articles non mentionnés dans le Parts No. ne sont pas fournis.

Teile ohne Parts No. werden nicht geliefert.

Ref. No.	Address	New Parts	Parts No.	Description	Destination	Remarks
参照番号	位置	新	部品番号	部品名 / 規格	仕向	備考
KX-880G						
201	1D		A01-1348-02	METALLIC CABINET		
202	2D	*	A20-4629-03	PANEL ASSY	MEKP	
202	2D	*	A20-4630-03	PANEL ASSY	T	
203	2D	*	A53-0795-03	CASSETTE LID		
206	1E	*	A53-0763-03	CASSETTE HOLDER ASSY		
207	1E	*	B03-1067-03	DRESSING PLATE		
208	2D	*	B07-1411-02	ESCUTCHEON		
-			B46-0092-03	WARRANTY CARD	K	
-			B46-0121-03	WARRANTY CARD	P	
-			B46-0122-13	WARRANTY CARD	E	
-			B46-0123-03	WARRANTY CARD	T	
-		*	B50-5926-00	INSTRUCTION MANUAL (ENGLISH)	MEKP	
-		*	B50-5927-00	INSTRUCTION MANUAL (FRENCH)	MEP	
-		*	B50-5928-00	INSTRUCTION MANUAL (SPANISH)	M	
-		*	B50-5930-00	INSTRUCTION MANUAL (ENGLISH)	T	
-		*	B50-5931-00	INSTRUCTION MANUAL (G.D.I)	E	
-			B58-0269-04	CAUTION CARD	K	
-			B30-0740-05	LED(SLF-201C)		
D1	1E					
Δ C1	.2		C91-0023-05	CERAMIC 0.01UF AC250V	M	
Δ C1	.2		C91-0647-05	CERAMIC 0.01UF P	TEKP	
213	1E		D10-1510-04	LEVER		
214	1E		D39-0172-05	DAMPER ASSY		
Δ 217	1E	*	E03-0102-25	AC INLET	ME	
Δ 218	1E	*	E30-0505-05	AUDIO CORD		
Δ 219	1F	*	E30-0181-05	AC POWER CORD	K	
Δ 219	1F	*	E30-0780-05	AC POWER CORD	P	
Δ 219	1F	*	E30-1416-05	AC POWER CORD	T	
Δ 220	1E		E30-1305-15	AC POWER CORD (INLET)	M	
Δ 220	1E		E30-1329-05	AC POWER CORD (INLET)	E	
223	1E		G01-1741-04	TORSION COIL SPRING(LEVER)		
224	1E		G01-1742-04	TORSION COIL SPRING		
225	1E		G02-0364-04	FLAT SPRING		
-		*	H01-5679-04	ITEM CARTON CASE	MEKP	
-		*	H01-5680-04	ITEM CARTON CASE	T	
-			H10-1827-02	POLYSTYRENE FOAMED FIXTURE		
-			H10-1828-02	POLYSTYRENE FOAMED FIXTURE		
-			H20-0417-04	PROTECTION COVER(460X370X360)	M	
-			H25-0224-04	PROTECTION BAG (800X400)		
-			H25-0232-04	PROTECTION BAG (235X350)	TEKP	
229	2E,2F		J02-0130-05	FOOT		
230	2F		J19-2536-05	UNIT HOLDER (PCB)		
231	1F	*	J19-2572-04	UNIT HOLDER (DOLBY)		
232	2E		J21-3326-05	JACK MOUNTING HARDWARE (PHONES)		
233	1E	*	J21-3650-03	MOUNTING HARDWARE (L)		
234	1E	*	J21-3651-03	MOUNTING HARDWARE (R)		
Δ 235	1F		J42-0083-05	POWER CORD BUSHING	TKP	
-			J61-0307-05	WIRE BAND		
239	2D		K27-1082-04	KNOB (BUTTON) POWER		
240	2D	*	K27-1594-04	KNOB (LEVER) DOLBY NR		
242	2E	*	K27-1525-04	KNOB (BUTTON) COUNTER RESET		

E: Scandinavia & Europe H: Audio Club K: USA P: Canada

T: England U: PX(Far East, Hawaii)

UE: AAFES(Europe) X: Australia M: Other Areas

Δ indicates safety critical components.

PARTS LIST

* New Parts

Parts without Parts No. are not supplied.

Les articles non mentionnés dans le Parts No. ne sont pas fournis.

Teile ohne Parts No. werden nicht geliefert.

Ref. No.	Address	New Parts	Parts No.	Description	Destination	Remarks
参照番号	位置	新	部品番号	部品名 / 規格	仕向	備考
243	2D		K29-1822-04	KNOB MASTER VOLUME		
244	2D		K29-1863-04	KNOB (BUTTON) PLAY		
245	2E		K29-1865-04	KNOB (BUTTON) FF		
246	2D		K29-1866-04	KNOB (BUTTON) REW		
247	2E		K29-1890-04	KNOB (BUTTON) REC/ARM PAUSE		
248	2E		K29-1891-04	KNOB (BUTTON) PAUSE		
249	2D		K29-2000-04	KNOB LEVEL		
250	2D	*	K29-2200-04	KNOB (BUTTON) EJECT		
251	2D	*	K29-2201-04	KNOB LEVEL		
252	2E	*	K29-2202-04	KNOB (BUTTON) STOP		
253	2D	*	K29-2203-04	KNOB (BUTTON) MPX		
Δ 257	1E	*	L01-6864-05	POWER TRANSFORMER		
261	1E	*	N19-0880-04	FLAT WASHER		
A	1F		N09-0301-05	TAPTITE SCREW (3XB)		
P	2D		N09-1445-05	SET SCREW (M3XB)		
Δ S1	1E		S40-1066-05	PUSH SWITCH (POWER TYPE)		
81	2A		T32-0304-05	ERASE HEAD		
82	2A		T34-0306-05	RECORD/PLAYBACK HEAD		
DISPLAY UNIT (X25-2450-00)						
C1			CE04KW1V100M	ELECTRO 10UF 35WV		
C2			CF92FV1H104J	MF 0.10UF J		
C3			CF92FV1H473J	MF 0.047UF J		
CP1			R90-0426-05	MULTI-COMP 100KX6 J 1/6W		
R11			RS14KB3A151J	FL-PROOF RS 150 J 1W		
S1 -11	1D		S40-1064-05	PUSH SWITCH		
S12	1D	*	S31-2097-05	SLIDE SWITCH (DOLBY NR)		
D1 -10			1S1555	DIODE		
D1 -10			1S2076	DIODE		
FL1	1D		6-BT-33ZK	FLUORESCENT INDICATOR TUBE		
FL2	1D		BG-251ZK	FLUORESCENT INDICATOR TUBE		
IC1			AN6870N	IC(18PT LED LEVEL METER DR X2)		
Q1 .2			2SC1685(R,S)	TRANSISTOR		
Q1 .2			2SC1740S(Q,R)	TRANSISTOR		
Q1 .2			2SC945(A)(Q,P)	TRANSISTOR		
CASSETTE UNIT (X26-1120-11)						
C1			CK45FF1H103Z	CERAMIC 0.010UF Z		
C2			CC45FSL1H101J	CERAMIC 100PF J		
C3 .4		*	CE04KW1C220MEL	ELECTRO 22UF 16WV		
C5 -8		*	CE04KW1V100MEL	ELECTRO 10UF 35WV		
C9 .10		*	CE04KW1H010MEL	ELECTRO 1.0UF 50WV		
C11 .12			CC45FSL1H330J	CERAMIC 33PF J		
C13 .14		*	CE04KW1V100MEL	ELECTRO 10UF 35WV		
C15 .16			CK45FF1H103Z	CERAMIC 0.010UF Z		
C17 .18		*	CE04KW1H010MEL	ELECTRO 1.0UF 50WV		
C19 .20			CC45FSL1H331J	CERAMIC 330PF J		
C21 .22		*	CE04KW1V100MEL	ELECTRO 10UF 35WV		
C23 .24			CC45FSL1H220J	CERAMIC 22PF J		
C25 .26			CK45FB1H102K	CERAMIC 1000PF K		
C27 .28			CK45FF1H103Z	CERAMIC 0.010UF Z		
C29 .30			C91-0355-05	POLYSTY 100PF J		

E: Scandinavia & Europe H: Audio Club K: USA P: Canada

T: England U: PX(Far East, Hawaii)

UE: AAFES(Europe) X: Australia M: Other Areas

Δ indicates safety critical components.

PARTS LIST

* New Parts

Parts without Parts No. are not supplied.

Les articles non mentionnés dans le Parts No. ne sont pas fournis.

Teile ohne Parts No. werden nicht geliefert.

Ref. No. 参照番号	Address 位置	New Parts 新	Parts No. 部品番号	Description 部品名 / 規格	Desti- nation 仕向	Re- marks 備考
C31			C093HP2A822J	MYLAR 8200PF J		
C32		*	CE04KW1E101MEL	ELECTRØ 100UF 25WV		
C33			CF92FV1H562J	MF 5600PF J		
C34			CF92FV1H682J	MF 6800PF J		
C35 .36			CF92FV1H472J	MF 4700PF J		
C37		*	CE04KW1V4R7MEL	ELECTRØ 4.7UF 35WV		
C38		*	CE04KW1E101MEL	ELECTRØ 100UF 25WV		
C39 .40		*	CE04KW1A471MEL	ELECTRØ 470UF 10WV		
C41 .42		*	CE04KW1A101MEL	ELECTRØ 100UF 10WV		
C43 .44		*	CE04KW1V100MEL	ELECTRØ 10UF 35WV		
C45			CF92FV1H332J	MF 3300PF J		
C46			CK45FB1H681K	CERAMIC 680PF K		
C47			CF92FV1H513J	MF 0.051UF J		
C48		*	CE04KW1HR22MEL	ELECTRØ 0.22UF 50WV		
C49			CC45FSL1H470J	CERAMIC 47PF J		
C50		*	CE04KW1H010MEL	ELECTRØ 1.0UF 50WV		
C51 -54			CK45FF1H103Z	CERAMIC 0.010UF Z		
C55 -58			C91-0700-05	CERAMIC 0.1UF J		
C59		*	CE04KW0J221MEL	ELECTRØ 220UF 6.3WV		
C60		*	CE04KW1H3R3MEL	ELECTRØ 3.3UF 50WV		
C61		*	CE04KW1V4R7MEL	ELECTRØ 4.7UF 35WV		
C62		*	CE04KW1HR47MEL	ELECTRØ 0.47UF 50WV		
C63		*	CE04KW1A101MEL	ELECTRØ 100UF 10WV		
C64		*	CE04KW1HR22MEL	ELECTRØ 0.22UF 50WV		
C65		*	CE04KW1A101MEL	ELECTRØ 100UF 10WV		
C66		*	CE04KW1V100MEL	ELECTRØ 10UF 35WV		
C67		*	CE04KW1C471MEL	ELECTRØ 470UF 16WV		
C68		*	CE04KW1C101MEL	ELECTRØ 100UF 16WV		
C69		*	CE04KW1V220MEL	ELECTRØ 22UF 35WV		
C70 .71		*	CE04KW1C101MEL	ELECTRØ 100UF 16WV		
C72		*	CE04KW1E472MEL	ELECTRØ 4700UF 25WV		
C73		*	CE04KW1V100MEL	ELECTRØ 10UF 35WV		
C74		*	CE04KW1C471MEL	ELECTRØ 470UF 16WV		
C75		*	CE04KW1C101MEL	ELECTRØ 100UF 16WV		
C76		*	CE04KW1E222MEL	ELECTRØ 2200UF 25WV		
C77 .78			CK45FF1H103Z	CERAMIC 0.010UF Z		
C79 .80		*	CE04KW1E470MEL	ELECTRØ 47UF 25WV		
C81		*	CE04KW1H010MEL	ELECTRØ 1.0UF 50WV		
C82		*	CE04KW1A101MEL	ELECTRØ 100UF 10WV		
C83		*	CE04KW1E101MEL	ELECTRØ 100UF 25WV		
C84		*	CE04KW1H221MEL	ELECTRØ 220UF 50WV		
C85		*	CE04KW1E331MEL	ELECTRØ 330UF 25WV		
C86		*	CE04KW1V4R7MEL	ELECTRØ 4.7UF 35WV		
C87 .88			CC45FSL1H330J	CERAMIC 33PF J		
C89			C91-0700-05	CERAMIC 0.1UF J		
C90 -93			CK45FB1H561K	CERAMIC 560PF K		
C101,102		*	CE04KW1HR33MEL	ELECTRØ 0.33UF 50WV		
C103,104			CC45FSL1H330J	CERAMIC 33PF J		
C105-108		*	CE04KW1V100MEL	ELECTRØ 10UF 35WV		
264	2E		E11-0151-05	PHONE JACK (2P)		
265	2E		E11-0104-15	PHONE JACK (3P)		
270	2F		E13-0448-05	PHONE JACK (4P)		
271	2D		E23-0129-05	TERMINAL		
L1 .2			L39-0107-05	TRAP COIL		

E: Scandinavia & Europe H: Audio Club K: USA P: Canada

T: England U: PX(Far East, Hawaii)

UE: AAFES(Europe) X: Australia M: Other Areas

△ indicates safety critical components

PATYS LIST

* New Parts

Parts without Parts No. are not supplied.

Les articles non mentionnés dans le Parts No. ne sont pas fournis.

Teile ohne Parts No. werden nicht geliefert.

Ref. No. 参照番号	Address 位置	New Parts 新	Parts No. 部品番号	Description 部品名 / 規格	Desti- nation 仕向	Re- marks 備考
L3		*	L32-0320-05	BIAS OSCILATING COIL		
V	1F		N09-0295-05	HEXAGON HEAD BOLT(M3XB.+)		
CP1		*	R90-0452-05	MULTIPLE RESISTOR		
CP2			R90-0233-05	MULTI-COMP 10KX4 J 1/6W		
R57 .58		*	RD14AB2E6RBJ	FL-PROOF RD 6.8 J 1/4W		
R61		*	R92-0341-05	CARBON FILM RESISTOR		
R109			RS14KB3D270J	FL-PROOF RS 27 J 2W		
R120			RS14KB3A102J	FL-PROOF RS 1.0K J 1W		
R130			RS14KB3A102J	FL-PROOF RS 1.0K J 1W		
R156			RS14KB3A470J	FL-PROOF RS 47 J 1W		
R159			RS14KB3D221J	FL-PROOF RS 220 J 2W		
R160		*	RD14AB2E560J	FL-PROOF RD 56 J 1/4W		
R161		*	RS14KB3A821J	FL-PROOF RS 820 J 1W		
R163			RS14KB3D150J	FL-PROOF RS 15 J 2W		
R164			RS14KB3A331J	FL-PROOF RS 330 J 1W		
R165		*	R92-0228-05	FUSE RESIST 100 G 1/4W		
R169			RS14KB3A182J	FL-PROOF RS 1.8K J 1W		
R170			RS14KB3D102J	FL-PROOF RS 1.0K J 2W		
R171			RS14KB3A681J	FL-PROOF RS 680 J 1W		
VR1 .2	2E	*	RD1-4032-05	POTENTIOMETER(50K) REC LEVEL		
VR3	2E	*	R10-5020-05	POTENTIOMETER(100KX2) REC LEVEL		
VR4	2E	*	RD6-2015-05	POTENTIOMETER(5KX2) REC LEVEL		
VR5	2E		R01-2020-05	POTENTIOMETER(5K) BIAS ADJ		
VR6	2F		R10-3023-05	POTENTIOMETER(10KX2) PHONE LVL		
VR7 .8			R12-5047-05	TRIMMING PØT. (220K) BIAS ADJ		
VR9			R12-1067-05	TRIMMING PØT. (2.2K) CLOCK ADJ		
S1	2D		S31-2062-15	SLIDE SWITCH (TIMER)		
D1			1S1555	DIODE		
D1			1S2076	DIODE		
D2 .3			RD8.2JS(B2)	ZENER DIODE		
D4 -12			1S5176	DIODE		
D13 -20			1S1555	DIODE		
D13 -20			1S2076	DIODE		
D21			RD5.1E(B2)	ZENER DIODE		
D22 .23			1S5176	DIODE		
D24 .25			1S1555	DIODE		
D24 .25			1S2076	DIODE		
D26			1S553	DIODE		
D27			RD5.6E(B2)	ZENER DIODE		
D28			RD11E(B2)	ZENER DIODE		
D29			1S5176	DIODE		
D30			RD5.6E(B2)	ZENER DIODE		
D31		*	RD8.2E(B2)	ZENER DIODE		
D32			RD3.9E(B)	ZENER DIODE		
D33			RD11E(B2)	ZENER DIODE		
D34 -37			GP20DL	DIODE		
D38 .39			1S5178	DIODE		
D40			RD5.1E(B2)	ZENER DIODE		
D41 .42			DSM1A1	DIODE		
IC1			MS218L	IC(ØP AMP X2)		
IC2			NJM4558D(A)	IC(ØP AMP X2)		
IC3			MS218P	IC(ØP AMP X2)		

E: Scandinavia & Europe H: Audio Club K: USA P: Canada

T: England U: PX(Far East, Hawaii)

UE: AAFES(Europe) X: Australia M: Other Areas

△ indicates safety critical components

PARTS LIST

* New Parts

Parts without Parts No. are not supplied.

Les articles non mentionnés dans le Parts No. ne sont pas fournis.

Teile ohne Parts No. werden nicht geliefert.

Ref. No. 参照番号	Address 位置	New Parts 新	Parts No. 部品番号	Description 部品名 / 規格	Desti- nation 仕 向	Re- marks 備考
IC3 ,4			M5218P	IC(OP AMP X2)		
IC4			AN6556	IC(OP AMP X2)		
IC4			NJM4558D	IC(OP AMP X2)		
IC5			BA6229	IC(MOTOR DRIVER)		
IC6			BA6209	IC(MOTOR DRIVER)		
IC7		*	M50757-400SP	IC(MICROPROCESSOR)		
IC8			NJM4558D(A)	IC(OP AMP X2)		
Q1 -6			2SC1845(F,E)	TRANSISTOR		
Q7 ,8			2SD1302(S)	TRANSISTOR		
Q9			2SC1685(R,S)	TRANSISTOR		
Q9			2SC1740S(Q,R)	TRANSISTOR		
Q9			2SC945(A)(Q,P)	TRANSISTOR		
Q10			2SA1127NC(R,S)	TRANSISTOR		
Q10			2SA733(A)(Q,P)	TRANSISTOR		
Q10			2SA933S(Q,R)	TRANSISTOR		
Q11 ,12			2SK301(R,S)	FET		
Q13 ,14			2SA1127NC(R,S)	TRANSISTOR		
Q13 ,14			2SA733(A)(Q,P)	TRANSISTOR		
Q13 ,14			2SA933S(Q,R)	TRANSISTOR		
Q15 -17			2SC2060(Q,R)	TRANSISTOR		
Q15 -17			2SD863(E,F)	TRANSISTOR		
Q18			2SC1685(R,S)	TRANSISTOR		
Q18			2SC1740S(Q,R)	TRANSISTOR		
Q18			2SC945(A)(Q,P)	TRANSISTOR		
Q19			DTC114YFF	DIGITAL TRANSISTOR		
Q20			2SC1685(R,S)	TRANSISTOR		
Q20			2SC1740S(Q,R)	TRANSISTOR		
Q20			2SC945(A)(Q,P)	TRANSISTOR		
Q21			DTC114YFF	DIGITAL TRANSISTOR		
Q22 -24			2SA1127NC(R,S)	TRANSISTOR		
Q22 -24			2SA733(A)(Q,P)	TRANSISTOR		
Q22 -24			2SA933S(Q,R)	TRANSISTOR		
Q25 -31			2SC1685(R,S)	TRANSISTOR		
Q25 -31			2SC1740S(Q,R)	TRANSISTOR		
Q25 -31			2SC945(A)(Q,P)	TRANSISTOR		
Q32			2SA1127NC(R,S)	TRANSISTOR		
Q32			2SA733(A)(Q,P)	TRANSISTOR		
Q32			2SA933S(Q,R)	TRANSISTOR		
Q33			2SA992(F,E)	TRANSISTOR		
Q34			2SA1127NC(R,S)	TRANSISTOR		
Q34			2SA733(A)(Q,P)	TRANSISTOR		
Q34			2SA933S(Q,R)	TRANSISTOR		
Q35			2SC2060(Q,R)	TRANSISTOR		
Q35			2SD863(E,F)	TRANSISTOR		
Q36			2SD882(Q,P)	TRANSISTOR		
Q37			2SK301(R,S)	FET		
Q38			2SD1266(Q,P)	TRANSISTOR		
Q39			2SC1685(R,S)	TRANSISTOR		
Q39			2SC1740S(Q,R)	TRANSISTOR		
Q39			2SC945(A)(Q,P)	TRANSISTOR		
Q40			2SB772*1(Q,P)	TRANSISTOR		
Q41			2SK301(R,S)	FET		
Q42			2SB772*1(Q,P)	TRANSISTOR		
Q43			2SA1127NC(R,S)	TRANSISTOR		
Q43			2SA733(A)(Q,P)	TRANSISTOR		

E: Scandinavia & Europe H: Audio Club K: USA

P: Canada

T: England U: PX(Far East, Hawaii)

UE: AAFES(Europe) X: Australia M: Other Areas

⚠ indicates safety critical components.

PARTS LIST

* New Parts

Parts without Parts No. are not supplied.

Les articles non mentionnés dans le Parts No. ne sont pas fournis.

Teile ohne Parts No. werden nicht geliefert.

Ref. No. 参照番号	Address 位置	New Parts 新	Parts No. 部品番号	Description 部品名 / 規格	Desti- nation 仕 向	Re- marks 備考
Q43			2SA933S(Q,R)	TRANSISTOR		
Q44			DTC114YFF	DIGITAL TRANSISTOR		
Q45			DTA114YFF	DIGITAL TRANSISTOR		
DOLBY UNIT (X30-1230-01)						
C3 ,4		*	CE04KW1H2R2MEL	ELECTRO 2.2UF 50WV		
C9 ,10			CF92FV1H472J	MF 4700PF J		
C11 ,12			CF92FV1H474J	MF 0.47UF J		
C13 ,14			CF92FV1H154J	MF 0.15UF J		
C15 ,16			CF92FV1H153J	MF 0.015UF J		
C17 ,18			CF92FV1H224J	MF 0.22UF J		
C19 ,20			CF92FV1H683J	MF 0.068UF J		
C21 ,22			CF92FV1H473J	MF 0.047UF J		
C23 ,24			CF92FV1H682J	MF 6800PF J		
C25 ,26			CF92FV1H103J	MF 0.010UF J		
C27 ,28			CE04KW1V100MEL	ELECTRO 10UF 35WV		
C29 ,30			CF92FV1H152J	MF 1500PF J		
C31 ,32			CF92FV1H122J	MF 1200PF J		
C33 ,34		*	CE04KW1A470MEL	ELECTRO 47UF 10WV		
L1 ,2			L79-0189-05	LC FILTER		
L3 ,4			L39-0108-05	TRAP COIL		
R17 ,18			RN14BK2C6811F	RN 6.81K F 1/6W		
R19 ,20		*	RN14BK2C6810F	RN 681.0 F 1/6W		
R34			RN14BK2C1003F	RN 100K F 1/6W		
IC1		*	CX20187	IC(DOLBY B/C NOISE REDUCT X2)		
Q1 -4			2SC1740S(Q,R)	TRANSISTOR		
Q1 -4			2SC945(A)(Q,P)	TRANSISTOR		
METER AMP UNIT (X87-1020-00)						
C1 ,2			CE04KW1V100M	ELECTRO 10UF 35WV		
C3 ,4			CE04KW1H2R2M	ELECTRO 2.2UF 50WV		
C5 ,6			CE04KW1H010M	ELECTRO 1.0UF 50WV		
C7 ,8			CE04KW1C330M	ELECTRO 33UF 16WV		
VR1			R12-3057-05	TRIMMING PBT. (10K) 0DB ADJ		
D1 -6			1SS176	DIODE		
IC1		*	BA6138	IC(ROBT AMP X2)		
IC2			AN6556	IC(OP AMP X2)		
IC2		*	M5218P	IC(OP AMP X2)		
IC2			NJM4558D	IC(OP AMP X2)		
Q1			DTC114YFF	DIGITAL TRANSISTOR		
REC/PLAY UNIT (X87-1030-01)						
C1 ,2			CF92FV1H274J	MF 0.27UF J		
C3 ,4			CE04KW1V100MEL	ELECTRO 10UF 35WV		
C5 ,6			CC45FSL1H100D	CERAMIC 10PF D		
C7 ,8			CF92FV1H122J	MF 1200PF J		
C9 ,10			CF92FV1H823J	MF 0.082UF J		
C11 ,12			CE04KW1V100MEL	ELECTRO 10UF 35WV		
C13 ,14			CF92FV1H682J	MF 6800PF J		
C15 ,16			CF92FV1H222J	MF 2200PF J		
C17 ,18			CO09FS1H101JZS	POLYSTY 100PF J		
C19 ,20			CF92FV1H562J	MF 5600PF J		
C21 ,22			CF92FV1H102J	MF 1000PF J		
C23 ,24			CF92FV1H152J	MF 1500PF J		
C25 ,26			CF92FV1H182J	MF 1800PF J		

E: Scandinavia & Europe H: Audio Club K: USA

P: Canada

T: England U: PX(Far East, Hawaii)

UE: AAFES(Europe) X: Australia M: Other Areas

⚠ indicates safety critical components.

PARTS LIST

✱ New Parts
 Parts without Parts No. are not supplied.
 Les articles non mentionnés dans le Parts No. ne sont pas fournis.
 Teile ohne Parts No. werden nicht geliefert.

Ref. No. 参照番号	Address 位置	New Parts 新	Parts No. 部品番号	Description 部品名/規格	Desti- nation 仕向	Re- marks 備考
C27 ,28 C29 -32 C33 ,34 C35 ,36 C37 ,38			C009FS1H221JZS CK45FF1H103Z CE04KW1V00MEL C009FS1H271JZS CE04KW1A221MEL	POLYSTY 220PF J CERAMIC 0.010UF Z ELECTRO 10UF 35WV POLYSTY 270PF J ELECTRO 220UF 10WV		
C39 ,40 C41 ,42 C43 ,44 C45 ,46 C47 ,48			CC45FSL1H330J CF92FV1H153J CE04KW1H3R3MEL CF92FV1H223J CF92FV1H122J	CERAMIC 33PF J MF 0.015UF J ELECTRO 3.3UF 50WV MF 0.022UF J MF 1200PF J		
L1 ,2			L40-2238-29	SMALL FIXED INDUCTOR(22MH,6)		
R5 ,6 R7 ,8 R11 ,12 R25 ,26 R29 ,30		*	RN14BK2C6192FTS RN14BK2C1102FTS RN14BK2C2612FTS RN14BK2C6810FTS RN14BK2C5112FTS	RN 61.9K F 1/6W RN 11.0K F 1/6W RN 26.1K F 1/6W RN 681.0 F 1/6W RN 51.1K F 1/6W		
R31 ,32 R41 ,42 R43 ,44 R45 ,46 VR1 -4		*	RN14BK2C1961FTS RN14BK2C1470FTS RN14BK2C1963FTS RN14BK2C8251FTS R12-3058-05	RN 1.96K F 1/6W RN 147.0 F 1/6W RN 196K F 1/6W RN 8.25K F 1/6W TRIMMING P8T. (20K) REC/PB LVL		
D1 ,2 IC1 IC2 Q1 -4 Q1 -4		*	1S5176 TX3010N M5220P 2SC1685(R,S) 2SC1740S(Q,R)	DIODE IC(REC AMP) IC(8P AMP X2) TRANSISTOR TRANSISTOR		
Q1 -4 Q5 ,6 Q5 ,6 Q5 ,6			2SC945(A)(Q,P) 2SC1685(R,S) 2SC1740S(Q,R) 2SC945(A)(Q,P)	TRANSISTOR TRANSISTOR TRANSISTOR TRANSISTOR		
CASSETTE MECHANISM ASS'Y (D40-0350-05)						
5 6 7 8 9	2A 2B 1B 1A 2B	*	D03-0250-08 D10-0308-18 D10-0309-08 D10-1614-08 D10-1616-08	REEL DISK ASSY SLIDER LEVER (REC) LEVER PINCH ROLLER ASSY		
10 11 12 13 15	2A 2B 1A 2C 1B,2B	*	D10-0321-08 D10-1615-08 D10-0312-08 D13-0080-08 D30-0012-08	ARM ASSY SLIDER ASSY LEVER (LOCK) GEAR (CAM) BRAKE		
17 18	2A 2A,2B		D90-0012-04 D90-0020-04	STEEL BALL (3MM) STEEL BALL (2MM)		
- -		*	E31-3776-08 E31-3777-08	CONNECTING WIRE(R/P HEAD) CONNECTING WIRE(E HEAD)		
22 23 24 25 26	2A 2B 2A 2A 1B	*	G01-1819-08 G01-0483-08 G01-0484-08 G01-1413-08 G02-0095-08	TENSION COIL SPRING TENSION COIL SPRING TENSION COIL SPRING COMPRESSION COIL SPRING FLAT SPRING (CASSETTE)		
27 28 29	1B,1C 2A 2B	*	G02-0096-08 G02-0386-08 G02-0387-08	FLAT SPRING (BACK TENSION) FLAT SPRING (HEAD) FLAT SPRING (CASSETTE)		

E: Scandinavia & Europe H: Audio Club K: USA P: Canada
 T: England U: FX(Far East, Hawaii)
 UE: AAFES(Europe) X: Australia M: Other Areas

⚠ indicates safety critical components

PARTS LIST

✱ New Parts
 Parts without Parts No. are not supplied.
 Les articles non mentionnés dans le Parts No. ne sont pas fournis.
 Teile ohne Parts No. werden nicht geliefert.

Ref. No. 参照番号	Address 位置	New Parts 新	Parts No. 部品番号	Description 部品名/規格	Desti- nation 仕向	Re- marks 備考
32	2B		H12-0106-08	CARTON BOARD (LEAF SW 77)		
36 37 38 39 40	2A 2A 2A 1C 1C		J11-0059-08 J13-0213-08 J13-0214-08 J21-3176-08 J21-3177-08	CLAMPER SPACER SPACER MOUNTING HARDWARE (REEL DISK) MOUNTING HARDWARE (CAM GEAR)		
41 43 44 45	1B 1C 2A 1B	*	J21-3785-08 J25-4057-08 J31-0269-08 J31-0268-08 J61-0307-05	MOUNTING HARDWARE (LEAF SW 76) PRINTED WIRING BOARD COLLAR (LOCK LEVER) COLLAR (LEAF SW) WIRE BAND		
47 48 49 50 65	2A 2B 1A 1B 2A		N10-2090-46 N24-3020-45 N24-3025-45 N24-3030-45 N14-0142-08	HEXAGON NUT E TYPE RETAINING RING (Ø2) E TYPE RETAINING RING (Ø2.5) E TYPE RETAINING RING (Ø3) NUT (ADJUST)		
66 67 70	1B,1C 2A 2C		N19-0335-08 N19-0334-08 N19-0920-08	FLAT WASHER FLAT WASHER (Ø1.8X3.2) FLAT WASHER		
A C	1B,2B 1C		N09-1233-08 N09-1228-08	SCREW (M2X4) SCREW (M2.5X5)		
E F G H J	1C 1B 1C,2A 2A 2C		N09-1232-08 N09-1240-08 N09-1241-08 N09-1229-08 N09-1230-08	SCREW (M2.6X3) SCREW (M2.5X4) SCREW (M2X3) SCREW (M2.5X10) SCREW (M2.5X20)		
K L	2A 2B		N09-1323-08 N09-1456-08	SCREW (M2X30) SCREW		
75 76 77	1C 1B 1C		S46-1017-08 S46-1051-08 S46-1019-08	LEAF SWITCH LEAF SWITCH (REC,TAPE SEL) LEAF SWITCH		
81 82 85 86 87	2A 2A 1C 1C 2C	*	T32-0304-05 T34-0306-05 T42-0088-18 T42-0017-05 T43-0030-05	ERASE HEAD REC/PLAY HEAD DC MOTOR ASSY DC MOTOR ASSY DD MOTOR ASSY		
91	1B		W02-0512-08	ELECTRIC UNIT		

E: Scandinavia & Europe H: Audio Club K: USA P: Canada
 T: England U: FX(Far East, Hawaii)
 UE: AAFES(Europe) X: Australia M: Other Areas

⚠ indicates safety critical components

SPECIFICATIONS

Type	Front Loading Stereo Cassette Deck with Dolby B - C NR System
Track System	4-Track, 2-Channel Stereo/Mono, Recording/Playback
Recording System	AC Bias System (Bias Frequency: 105 kHz)
Erasing System	AC System
Tape Speed	4.76 cm/sec (1-7/8 ips)
Heads	Record and Playback Head x1 (Amorphous Alloy) Erase Head x1 (Double Gap Ferrite)
Motors	Capstan Drive: FG Servo Direct Drive Motor Reel Drive: DC Motor Mechanism Drive: DC Motor
Fast Winding Time	Approx. 70 seconds with C-60 tape
Frequency Response:	
Normal Tape	20 Hz to 18,000 Hz, ± 3 dB
CrO₂ Tape	20 Hz to 19,000 Hz, ± 3 dB
Metal Tape	20 Hz to 22,000 Hz, ± 3 dB
Signal to Noise Ratio:	
Dolby C Type NR ON	74 dB (Metal Tape)
Dolby B Type NR ON	67 dB (Metal Tape)
Dolby NR OFF	59 dB (Metal Tape)
Harmonic Distortion	Less than 0.8% (at 1 kHz, 0 VU with Metal Tape)
Wow and Flutter	0.027% (W.R.M.S.) 0.08% (DIN)
Input Sensitivity/Impedance:	
LINE x 2	77.5 mV/50 kohm
Microphones x 2	0.3 mV/600 ohm
Output Level/Load Impedance:	
LINE x 2	0.49 V (0 VU)/3 kohms
Headphones x 1	0.85 mW/8 ohms
Power Requirements	AC 120V, 60 Hz: U.S.A. and Canada Models AC 120 V/220-240 V (Switchable), 50/60 Hz: Other Countries
Power Consumption	30 watts
Dimensions	W: 440 mm (17-5/16") H: 111 mm (4-3/8") D: 322 mm (12-11/16")
Weight	5.9 kg (13.0 lb)
Supplied Accessories	Audio Connection Cables x 2
Reference Tapes	Normal: KENWOOD ND-60 CrO ₂ : KENWOOD CD-60 Metal: KENWOOD MD-60

Kenwood follows a policy of continuous advancements in development.

For this reason specifications may be changed without notice.

DOLBY and the double-D symbol are trademarks of Dolby Laboratories Licensing Corporation.

Noise reduction circuit made under license from Dolby Laboratories Licensing Corporation.

Note :

Component and circuitry are subject to modification to insure best operation under differing local conditions. This manual is based on, the U.S.A. (K) standard, and provides information on regional circuit modification through use of alternate schematic diagrams, and information on regional component variations through use of parts list.

KENWOOD CORPORATION

Shonogi Shikuya Building, 17-5, 2-chome Shibuya, Shibuya-ku, Tokyo 150, Japan

KENWOOD ELECTRONICS

1315 E. Watsoncenter Rd, Carson, California 90745,
75 Seaview Drive, Secaucus, New Jersey 07094, U.S.A.

KENWOOD ELECTRONICS CANADA INC.

P.O. Box 1075 9075 Gana Court, Mississauga, Ontario, Canada L4T 4C2

KENWOOD ELECTRONICS BENELUX N.V.

Mechelsesteenweg 418 B-1930 Zaventem, Belgium

KENWOOD ELECTRONICS DEUTSCHLAND GMBH

Riembrucker-Str. 15, 60556 Heusenstamm, West Germany

TRIO-KENWOOD FRANCE S.A.

Hi-Fi+VIDEO-CAR Hi-Fi

13, Boulevard Ney, 75018 Paris, France

TRIO-KENWOOD U.K. LTD.

17 Bristol Road, The Metropolitan Centre, Greenford, Middx. UB6 8UP England

KENWOOD ELECTRONICS AUSTRALIA PTY. LTD.

4E Woodcock Place, Lane Cove, N.S.W. 2066, Australia

KENWOOD & LEE ELECTRONICS, LTD.

Wang Kee Building, 5th Floor, 34-37, Connaught Road, Central, Hong Kong